

6, -, 8/5 kg, 1500
WVG30460TH



- **EcoSilence Drive™:**
- **Wash & Dry 60:** Wash and dry efficiently small loads in just 60 min.
- **60**
- **AutoDry:**
- **VarioPerfect™:** **20%** **65%**

/:	5.0
:	8.0
Built-in / Free-standing:	
:	
:	
:	210.0 .
worktop:	-2 mm
:	848 x 598 x 590 mm
:	80.9 .
:	56 l
:	2200 W
():	10 A
:	220-240 V
:	50 Hz
():	5.44 kWh
():	0.83 kWh
():	118 l



WX975600 Floor securing component
 WZ10131 Extension for cold water inlet /Aquastop

6, -, 8/5 kg, 1500
WVG30460TH

- : 8 kg
- 1500rpm
- (x x): 84.8 x 59.8 x 59 .
- 32 cm, 180°

-
- : B

- EcoSilence Drive™

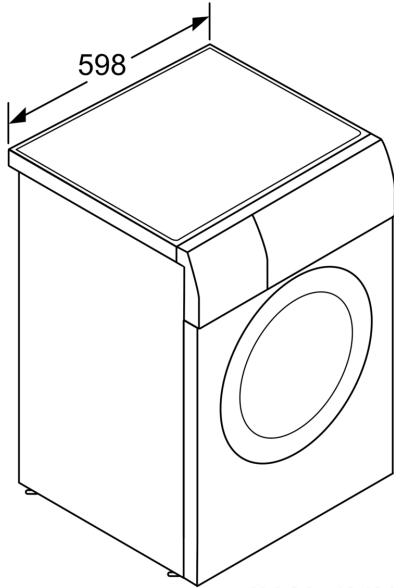
- VarioPerfect™: 50% 65%

- Anti-Vibration
- : Multiple Water Protection

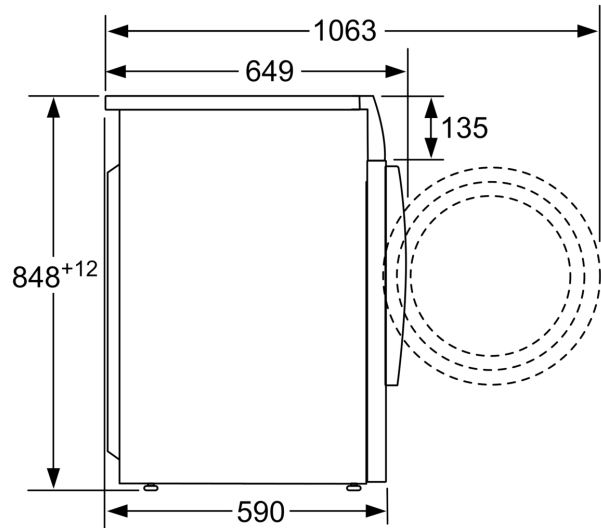
-

- B

6, -, 8/5 kg, 1500
WVG30460TH



measurements in mm



measurements in mm