

**8, heat pump, 9 kg  
WTX87MH0TH**



**AutoClean SmartDry**

- **AutoClean** :
- **SmartDry:**
- **AutoDry:**
- **Anti-Vibration**
- **ComfortControl:**

---

Built-in / Free-standing: .....

: .....

: .....

/ : ..... White

: ..... 145.0 .

: ..... 842 x 598 x 613 mm

: ..... 54.4 .

: ..... 112 l

Fluorinated greenhouse gases: .....

Type of refrigerant: ..... R290

Hermetically sealed equipment: .....

: ..... 800 W

( ): ..... 10 A

: ..... 220-240 V

: ..... 50 Hz

Drying process: ..... automatic

- (2010/30/EC): ..... 9.0 .

: ..... A++: very efficient

Üzemkész állapot időtartama: ..... 30

Condenser: ..... A

---

- WMZ20600 :
- WTZ11400 :
- WTZPW20D Platform with pull-out
- WZ11410 Stacking Kit white



## 8, heat pump, 9 kg WTX87MH0TH

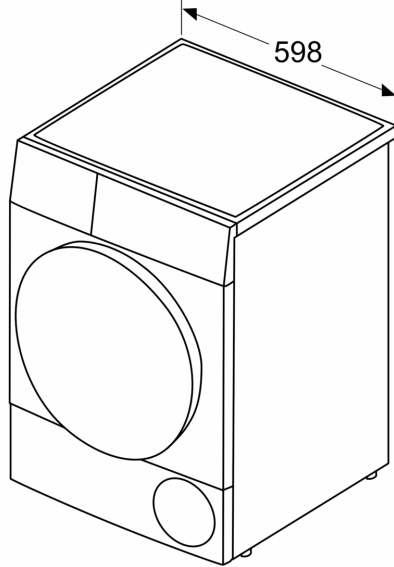
### AutoClean SmartDry

---

- 9 kg .
- ( x x ): 84.2 x 59.8 x 61.3 .
- 39., 170
- : 64
  
- Cottons, Synthetics, Mix, Delicates, Wool Finish, Timed Program  
Warm, Smart Dry, AllergyPlus, Super Quick 40min, Towels,  
Sportswear, Down Wear, Duvet, Shirts/Blouses
  
- Home Connect: , SmartDry  
Wifi
- SelfCleaning Condenser Condenser
  
- Sensitive Drying system
- 
- 120 120
- : Low heat, less ironing, programme length,  
start/pause, fine-tuning of drying aim, 24h end time delay
- Anti-Vibration
  
- LED , ,
- 
  
- 
- Duo-Tronic

**8, heat pump, 9 kg**  
**WTX87MH0TH**

Measurements in mm



Measurements in mm

