

6, -, 10/6 kg, 1400
WNA254U0TH

Perfect wash and dry



- **EcoSilence Drive™:**
- **SpeedPerfect™** **65%**
- **Active Water Plus:**
-
-

/:		6.0
:		10.0
Built-in / Free-standing:		
:		
:		
:		160.0 .
:		848 x 598 x 590 mm
:		81.3 .
:		70 l
:		1900 W
:		220-240 V
:		50 Hz
():		5.44 kWh
():		0.83 kWh
():		118 l



WX975600 Floor securing component
 WZ10131 Extension for cold water inlet /Aquastop

6, -, 10/6 kg, 1400
WNA254U0TH

Perfect wash and dry

- 10., 6 .
- 1400
- 1400
- 32., 130°

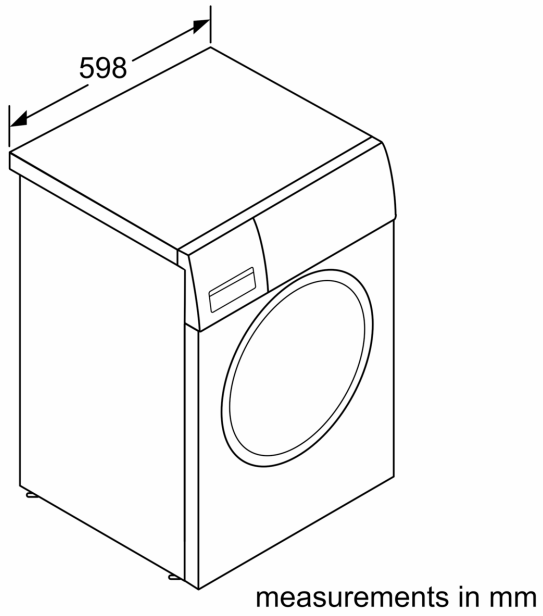
- Cottons, Mix Load, Synthetics, Delicates/Silk, Wool, Rinse, Spin, Drum Clean, Downs Clothes, Bed Linen, Waterproofing, Lingerie, Wash& Dry 60min
- : Spin Speed Selection, Time Delay, Temperature, Start/Pause, SpeedPerfect, EcoPerfect, 24 Hour End Time Delay
- Reload
- Wash&Dry 60' 1. 60
- Refresh
- My Time - 120
-

- EcoSilence Drive™

- SpeedPerfect™ 65%
- Anti-Vibration
- Unbalance load detection
-
-
- LED , , , , , ,
-

- Multiple water protection
-

6, -, 10/6 kg, 1400
WNA254U0TH



Measurements in mm

