

4, , 9 kg, 1400
WGA14400TH



WMZ2200 Floor securing component
WMZ2381 :

- **AntiStain Plus:** 16
- **EcoSilence Drive™**
- **AllergyPlus:**
- **SpeedPerfect:** 65%*
- **Vario Drum:**

Built-in / Free-standing:	
:
/ : White
: 160.0 .
: 845 mm
: 845 x 597 x 588 mm
:
: 70.9 .
: 65 l
: Silver-inox, black-grey
: 55 dB(A) re 1 pW
: 2300 W
(): 10 A
: 220-240 V
: 50 Hz
:
:
:Thai plug
(): 59.05 "
: 34.25 x 24.99 x 27.36
: 156.000
: 158.000
: 150.00 .
: 150.00 .
: (x x): 870 x 635 x 695 mm
: 71.7 .
: 2300 W
(): 10 A
: 220-240 V
: 50 Hz
: 0.62 kWh
: 44.0 l
: Multiple water protection
: 1400
:
:
: ,
: 9.0 .



4, , 9 kg, 1400 WGA14400TH

- EcoSilence Drive™: Ferrite-BLDC Motor

engine power and consumption

- : 9 kg
- : B
- 1400 rpm
- 60 °C dB (A) re 1 pW: 55
- 60 °C dB (A) re 1 pW: 73

options

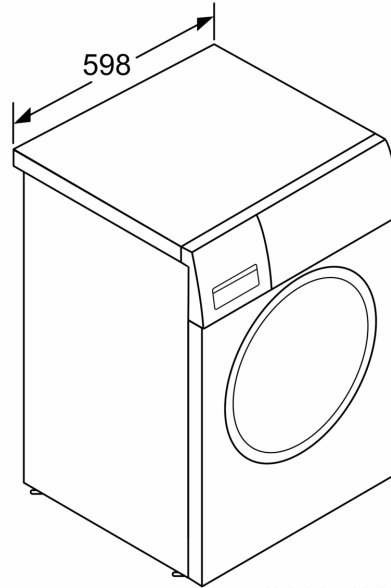
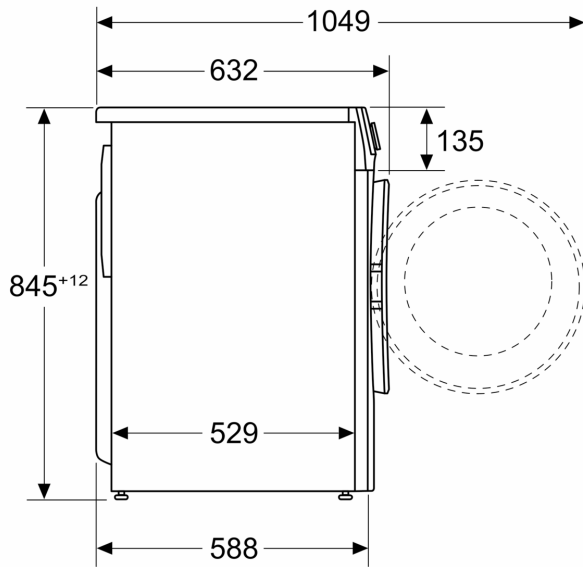
-

comfort and safety

- : Multiple Water Protection
-
- J
- S
-
- J
-
- J
-
- M
- (x x): 84.5 x 59.7 x 58.8 .
- 2

4, , 9 kg, 1400
WGA14400TH

Measurements in mm



measurements in mm