

2, , 60 cm
SMV25BX03R



- SMZ1051EU :
 SMZ2014 Rack insert for stemware dishwasher
 SMZ2056 Attachment door, brushed steel
 SMZ5000 Vase, bottle holder
 SMZ5002 Silver polishing cassette
 SMZ5003 Retractable hinge f. high corpus dimens.
 SMZ5300 :
 SGZ0BI02 decorative strips 81cm st.steel
 SGZ1010 Hose extension for supply and drainage
 SGZ8BI00 :

- **Glass 40°C:**
-
- **10**

/:	12
:	10.5 l
:	A
:	A
:	10.5 l
	220 :231 kWh
	220 :2310 l
Built-in / Free-standing:		
:	
:	
	worktop: 0 mm
:	815 mm
Adjustable feet: Yes - all from front		
:	60 mm
:	Both horizontal and vertical
:	30.3 .
:	32.1 .
:	2400 W
():	10 A
:	220-240 V
:	50; 60 Hz
:	175.0 .
:	Gardy plug w/ earthing
:	150 .
:	190 .
:	
:	
:	
:	basic
:	No
:	basic
3:	None
: SMZ1051EU, SMZ2014, SMZ2056, SMZ5000, SMZ5002,
SMZ5003, SMZ5300, SGZ0BI02, SGZ1010, SGZ8BI00		
:	vapor barrier plate
:	12
(x):	815 x 598 x 550 mm
(x x):	875 x 650 x 670 mm

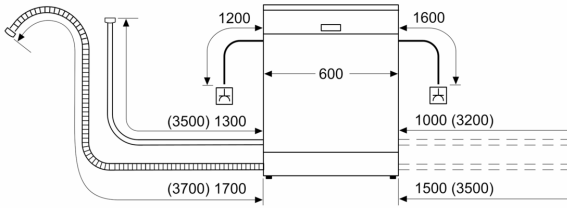


2, , 60 cm SMV25BX03R

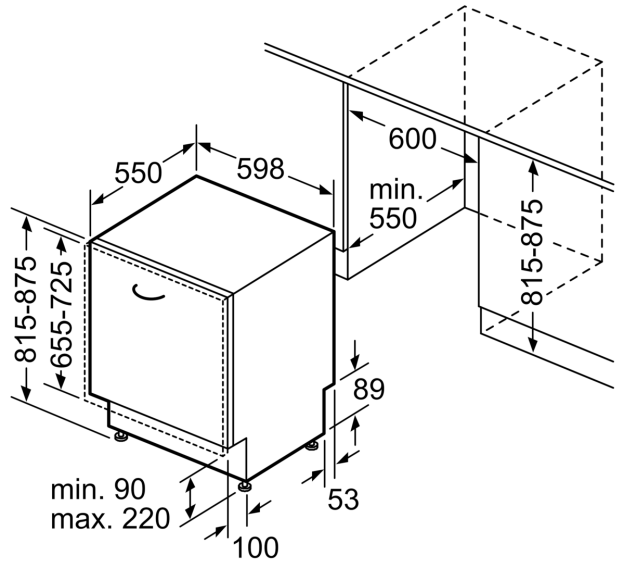
- 12
- Eco 50: 1.05 kwh
- Eco 50: 210
- 50
-
- 5 : Intensive 70 °C, Auto Plus 45-65 °C, 50 °C,
45 °C,
- 3
- speedMatic hydraulic system
- dosageAssist: /
- R
- Regenerative electronics
- P
-
- LED
- Acoustic
- R-
- LED
- LED
- varioFlex
-
- fix
- 2
- Servo lock
- /
-
- (HxWxD): 81.5 x 59.8 x 55 cm

2, , 60 cm
SMV25BX03R

measurements in mm



⚡ socket
 () values with extension kit



measurements in mm