

6, Induction hob with integrated ventilation system, 70 cm, surface mount without frame PVQ731F15E



HEZ9ES100 ; HEZ9FE280 ; HEZ9SE030 ; HEZ9SE040 ; HEZ9SE060 ; HEZ9VDKE1 ; HEZ9VDKR0 ; HEZ9VDKR1 ; HEZ9VDKR2 ; HEZ9VDSB1 ; HEZ9VDSB2 ; HEZ9VDSB3 ; HEZ9VDSB4 ; HEZ9VDSI0 ; HEZ9VDSI1 ; HEZ9VDSM1 ; HEZ9VDSM2 ; HEZ9VDSS1 ; HEZ9VDSS2 ; HEZ9VEDU0 ; HEZ9VRCR0 ; HEZ9VRCR1 ; HEZ9VRPD1 ;

- **DirectSelect:**
- **CombiZone:** 2
- **PowerBoost** 50%

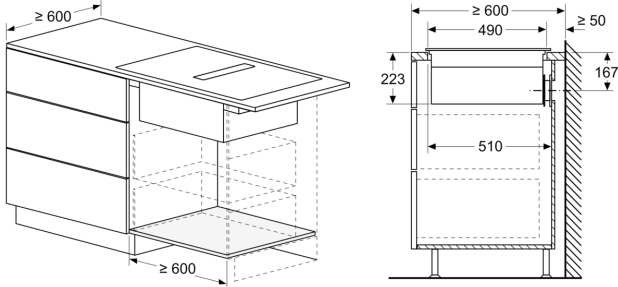
/: Cooking zone ceramic
 Built-in / Free-standing:
 :
 (x x): 223 x 560-560 x 490-490 mm
 : 710 mm
 : 223 x 710 x 522 mm
 (xx): 430 x 940 x 660 mm
 : 23.6 .
 : 30.0 .
 : Separate
 :
 : Black
 : 110.0 .
 seal:
 : Booster
 2 (kW): 3.6 kW
 :
 : 500 m³/h
 boost : 595.0 m³/h
 : 487 m³/h
 boost : 622 m³/h
 : 69 dB(A) re 1 pW
 :
 :
 : 220-240/380-415 V
 : 50-60 Hz



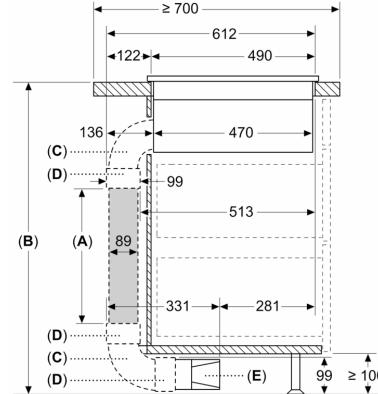
**6, Induction hob with integrated
ventilation system, 70 cm, surface
mount without frame
PVQ731F15E**

6, Induction hob with integrated ventilation system, 70 cm, surface mount without frame PVQ731F15E

measurements in mm



Measurements in mm



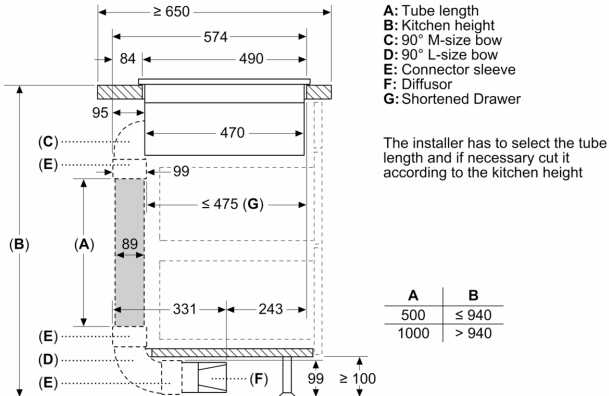
A: Tube length
B: Kitchen height
C: 90° L-size bow
D: Connector sleeve
E: Diffusor

Ducting kit available for ≥ 700 mm depth worktops and up to 960 mm height

The installer has to select the tube length and if necessary cut it according to the kitchen height

A	B
500	≤ 960
1000	> 960

Measurements in mm

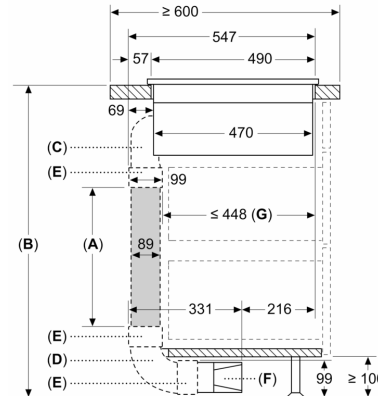


A: Tube length
B: Kitchen height
C: 90° M-size bow
D: 90° L-size bow
E: Connector sleeve
F: Diffusor
G: Shortened Drawer

The installer has to select the tube length and if necessary cut it according to the kitchen height

A	B
500	≤ 940
1000	> 940

Measurements in mm



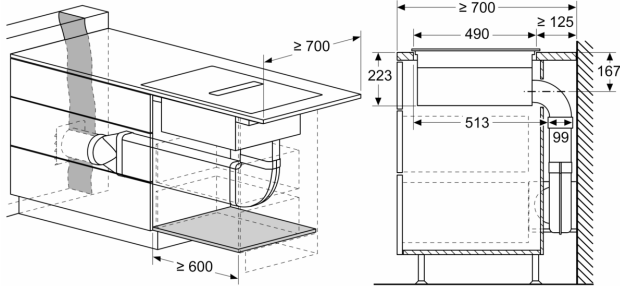
A: Tube length
B: Kitchen height
C: 90° S-size bow
D: 90° L-size bow
E: Connector sleeve
F: Diffusor
G: Shortened Drawer

Ducting kit available for ≥ 600 mm depth worktops and up to 960 mm height

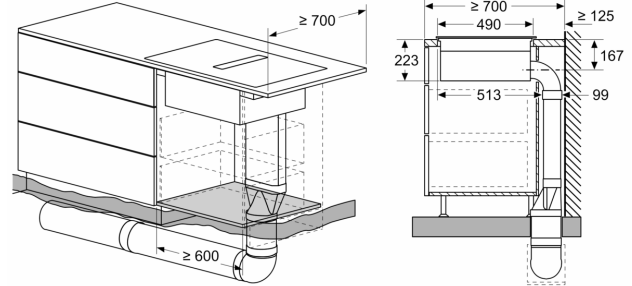
The installer has to select the tube length and if necessary cut it according to the kitchen height

A	B
500	≤ 990
1000	> 990

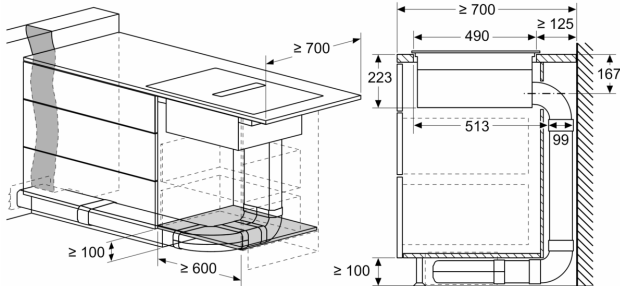
measurements in mm



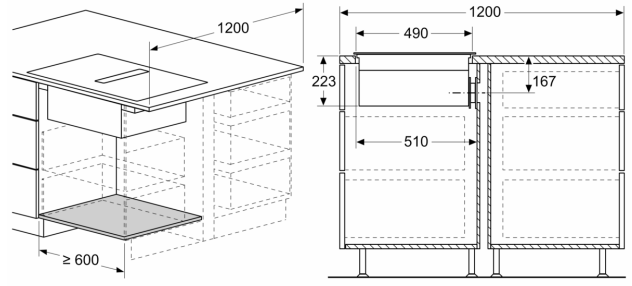
measurements in mm



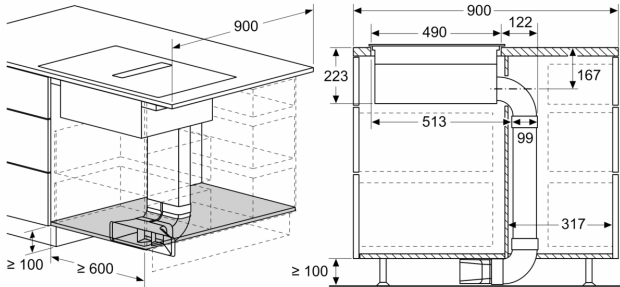
measurements in mm



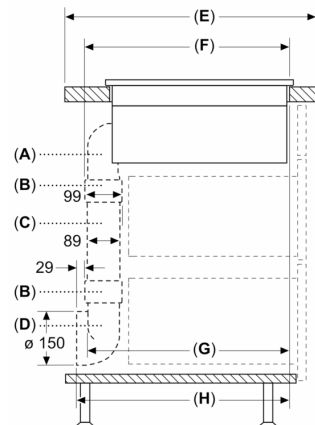
measurements in mm



measurements in mm

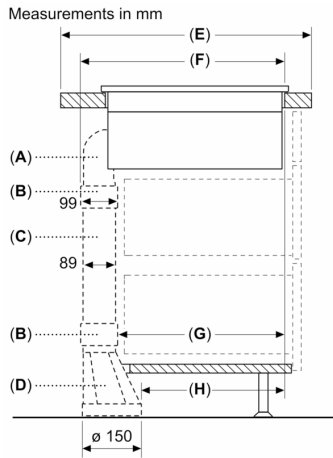


Measurements in mm



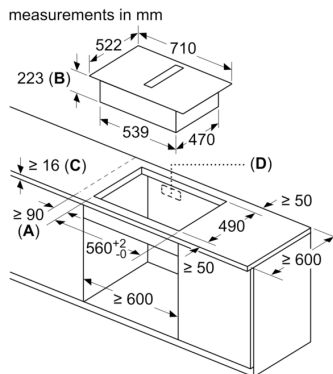
A	E	F	G	H
S-size	≥ 600	547	545	579
M-size	≥ 650	574	569	603
L-size	≥ 700	612	609	643

- A:** 90° Bow
B: Connector sleeve
C: Straight tube
D: 90° Adapter round-flat



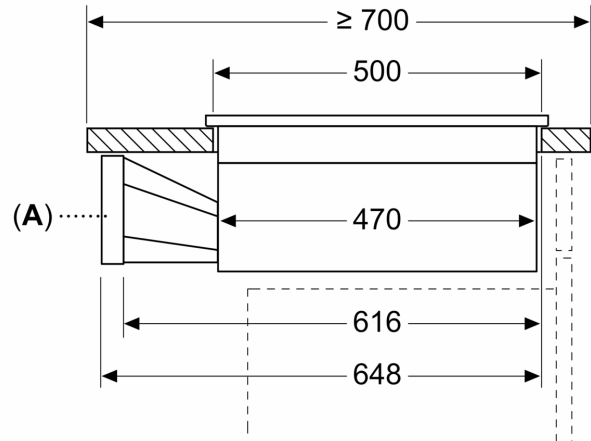
A	E	F	G	H
S-size	≥ 600	547	451	389
M-size	≥ 650	574	475	413
L-size	≥ 700	612	515	453

- A: 90° Bow
 B: Connector sleeve
 C: Straight tube
 D: Straight adapter round-flat



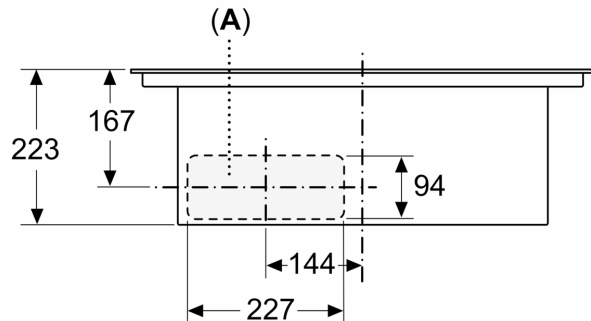
- A: Minimum distance from the hob cut-out to the wall
 B: Recessing depth
 C: The worktop into which the hob is installed must withstand loads of approx. 60kg; suitable substructures must be used if required.
 D: Cut-out in back panel required for pipework. Exact size and position can be taken from specific drawing.

Measurements in mm



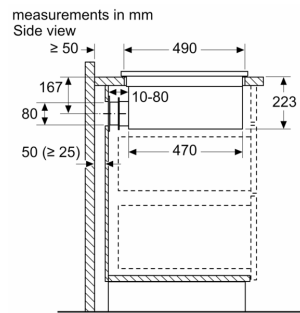
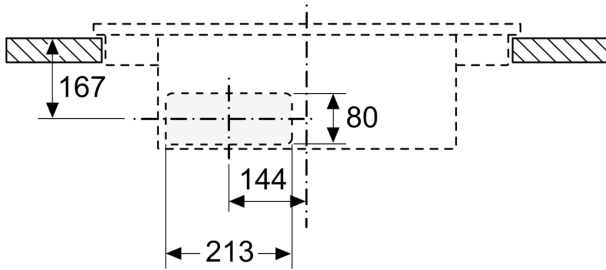
A: Adapter round-flat

measurements in mm
 Front view



A: Connected directly at the rear

measurements in mm
 Front view - unit cut-out
 for unducted recirculation



When installing directly at outer walls that are non-insulated ($\mu \geq 0.5 \text{ W/m}^2 \cdot \text{°C}$), we recommend to use partially or fully ducted recirculation configurations.

measurements in mm
 Front view

