

6, ,  
55.8 cm,  
KIN86AF30J

177.2 x

Vitafresh plus



KS10Z020 :  
KSZ10010 :  
KSZ10020 :  
KS10Z010 :

Built-in / Free-standing: .....	1
: .....	2
: .....	558 mm
: .....	1772 mm
: .....	545 mm
: .....	68.7
: ( x x ): .....	1775.0 x 560 x 550 mm
: .....	
: .....	4
: .....	
: .....	
: .....	230.0
Air-Flow: .....	
: .....	
: .....	
: .....	
bin - : .....	4
bin adjustability - : .....	
: .....	
: .....	1
: .....	
: .....	Safety glass
: .....	
: .....	100 W
( ): .....	10 A
: .....	220-240 V
: .....	50-60 Hz
( ): .....	13 h
: .....	
: .....	
: .....	Thai plug
cutout / ( ): .....	x
: .....	72.45 x 24.01 x 25.19
: .....	151.000
: .....	163.000



**6, ,**  
**55.8 cm,**  
**KIN86AF30J**

**177.2 x**

### **Vitafresh plus**

- 
- Gross Capacity (Total) : 9.64Q
  - Net Capacity (Total) : 8.9Q
  - Net Capacity (Fridge) : 6.6Q
  - Net Capacity (Freezer) : 2.3 Q
  - Dimensions (HxWxD): 1772 mm x 558 mm x 545 mm
  - Gross Weight: 74.15
  - Net Weight: 68.7

- 
- 
- Supercooling -
- Superfreezing -

- 
- 
- LED illumination
- NoFrost :

#### **Fridge Compartment**

- 1 Vitafresh plus drawer 2
- 5
- 1 Large door trays
- 3 Small door trays
- 1 Diary Compartment

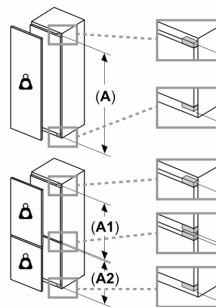
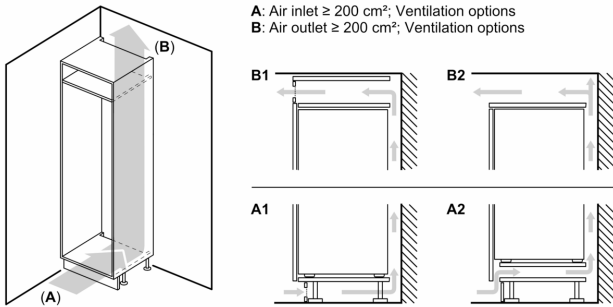
#### **Freezer Compartment**

- 3 Big Box
- Freezing Capacity: 8 kg/ 24h

- A\*\*0001, A\*\*0006, A\*\*0015
- 1E

6, ,  
55.8 cm,  
KIN86AF30J

177.2 x



**Maximal permissible weight of the unit fronts**

Fitted unit fronts that exceed the permissible weight may cause damage and result in functional impairment of the hinges

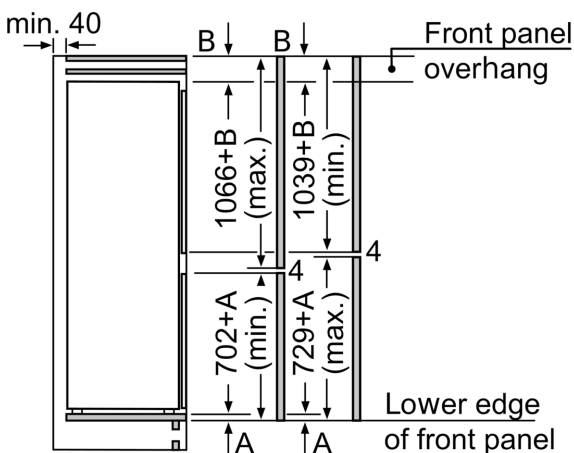
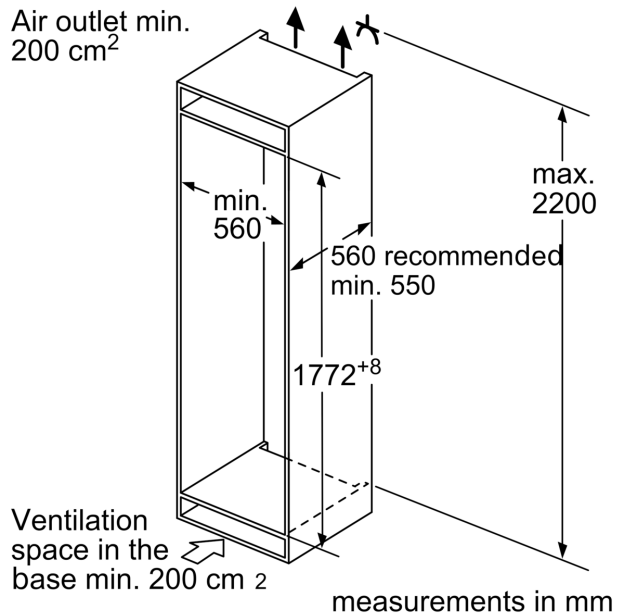
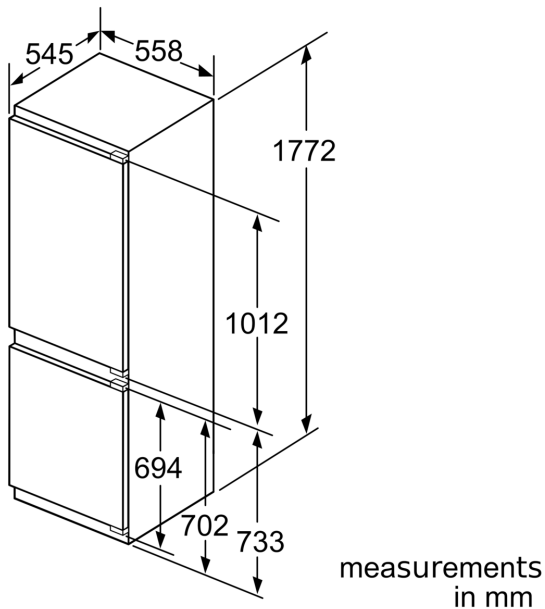
$\Delta$ : Weight  
A: Appliance door height including hinges in mm

B: Undamped hinge, unit front in kg

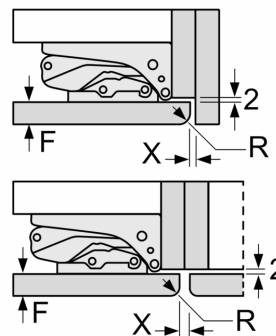
C: Damped hinge, unit front in kg

D: Additional possible load in kg with heavy load kit

A	B	C	D
1500-1750	22	22	
720-1400	19	19	B+5 / C+5
A1	15	19	
A2	15	19	



measurements in mm  
Recommended gap dimensions for flat hinges



F	R	X
16-19	0-3	2.5
20	0-1	3
	2-3	2.5
21	0-1	3
	2-3	2.5
22	0	4
	1	3.5
	2-3	3

The specified unit door dimensions are valid for a door gap of 4 mm.  
measurements in mm

The gap dimensions recommended in the table must be adhered to in order to ensure that appliance doors do not collide with anything when they are opened, and to avoid causing damage to kitchen units.