

4, French Door Bottom freezer, multi door, 183 x 90.5 cm,

KFN96APEAG



- **XXL:**
- **LED lighting:**

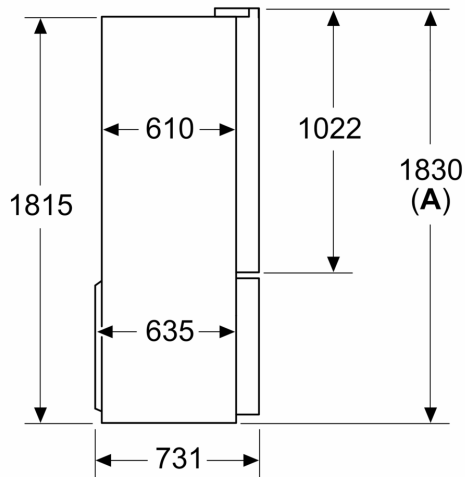
Energy Class:	E
Average annual energy consumption in kilowatt hour per year (kWh/a):	333 kWh/annum
Sum of volume of frozen compartments:	200 l
Sum of volume of chill- and unfrozen compartments (EU 2017/1369):	405 l
:	38 dB(A) re 1 pW
Airborne acoustical noise emission class:	C
Built-in / Free-standing:	
:	1
:	1
:	905 mm
:	1830 mm
:	731 mm
:	118.3
:	
:	3
:	
:	
:	240.0
:	38 dB(A) re 1 pW
Air-Flow:	
:	
:	
:	
:	
bin - :	4
bin adjustability - :	
:	
:	2
:	
:	Safety glass
:	
:	
():	10 A
:	220-240 V
:	50-60 Hz
():	15 h
:	
:	38 dB(A) re 1 pW
:	
:	GB plug
cutout / ():	X
:	74.99 x 39.29 x 30.70
:	261.000
:	284.000



4, French Door Bottom freezer, multi door, 183 x 90.5 cm,

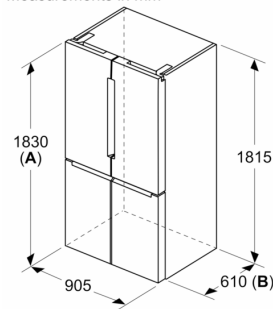
KFN96APEAG

Measurements in mm



A: Front is adjustable 1830–1847 mm, with front levelling feet fully extended

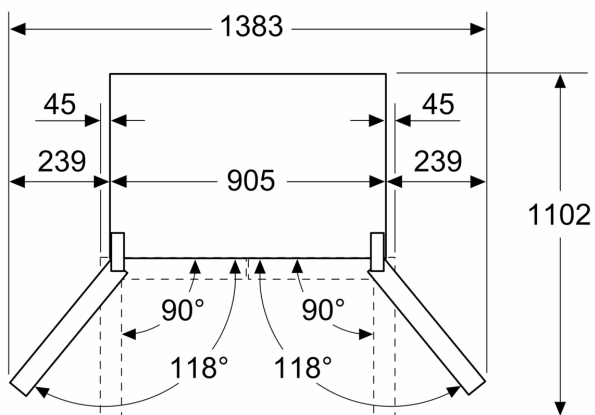
Measurements in mm



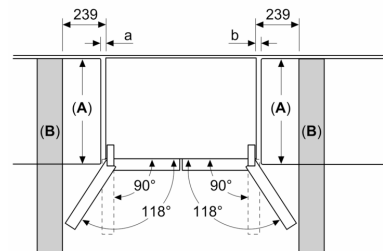
A: Front is adjustable 1830–1847 mm, with front levelling feet fully extended

B: Add 25 mm for fixed spacers on back

Measurements in mm



Measurements in mm



A	a	b
≤ 600	0	0
600 < A ≤ 650	45	45
650 < A ≤ 700	60	60
> 700	239	239

A: Kitchen cabinet or worktop depth

B: Wall
Drawers can be pulled and taken out with door open to 90°