

**8, , 60 x 60 cm, Stainless steel**  
**HBG672BS1A**



HEZ327000 ; HEZ530000 ; HEZ531010 ; HEZ532010 ; HEZ617000 ; HEZ625071 Grill tray, HEZ631070 ; HEZ632070 ; HEZ633001 Lid for professional pan, HEZ633070 Professional pan, HEZ634000 ; HEZ635000 ; HEZ636000 ; HEZ638170 1 level telescopic rail, full ext, pyro, HEZ638270 2 level telescopic rails, full ext,pyro, HEZ638370 3 level telescopic rails, full ext,pyro, HEZ660050 ; HEZ664000 ; HEZ915003 :

**Built-in:**

• **4D Hotair:**

:	.....	40.0 .
Built-in / Free-standing:	.....	
:	.....	Pyrolytic
	( x x ):	..... 585-595 x 560-568 x 550 mm
:	.....	595 x 594 x 548 mm
	(xx):	..... 670 x 670 x 680 mm
:	.....	Stainless steel
:	.....	Glass
:	.....	37.6 .
	∴	.....71 l
:	4D hot air, Defrost, Full width grill, Hot Air-Eco, Conventional heat, Conventional heat ECO, Pizza setting,	
:	.....	1
:	.....	120.0 .
	- 1:	.....1
:	.....	
	1:	.....2800 W
	1:	.....2200 W
:	.....	A+
Energy consumption per cycle conventional (2010/30/EC):	.....	0.87 kWh/cycle
Energy consumption per cycle forced air convection (2010/30/EC):	.....	0.69 kWh/cycle
Energy efficiency index (2010/30/EC):	.....	81.2 %
:	.....	3600 W
( ):	.....	16 A
:	.....	220-240 V
:	.....	60; 50 Hz
:	.....	no plug
:	.....	
cutout / ( ):	.....	X
:	.....	26.37 x 26.37 x 26.77
:	.....	83.000
:	.....	88.000
:	.....	120.0 .
:	.....	37.6 .



**8, , 60 x 60 cm, Stainless steel**  
**HBG672BS1A**

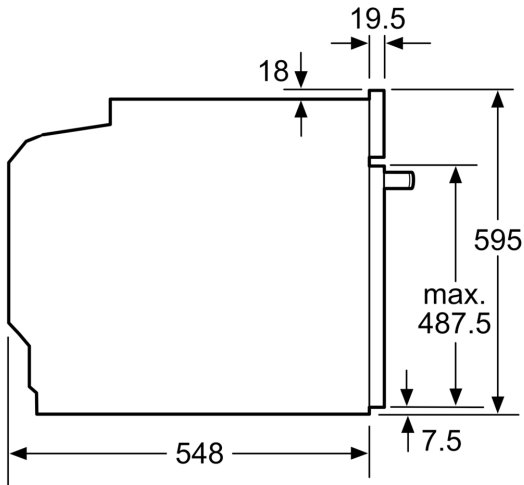
**Built-in:**

---

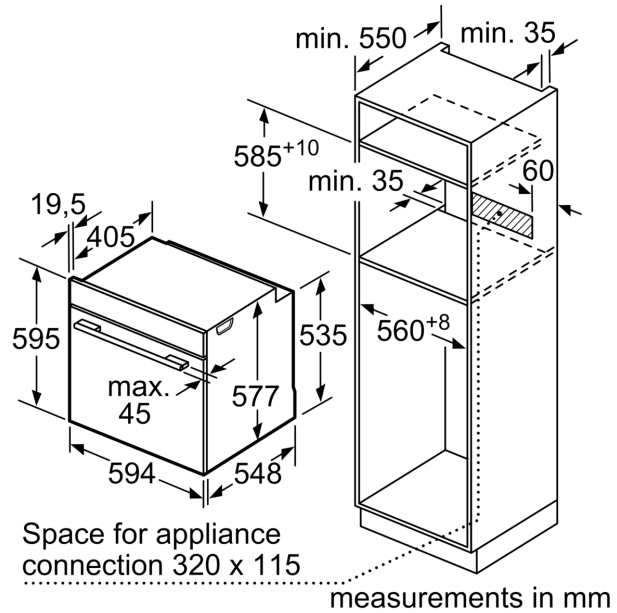
**Heating Functions**

- 8 :
- 4D hot air
- Hot Air-Eco Conventional heat Conventional heat ECO Hot air grilling Full width grill Pizza setting Defrost
- Rotary swivel
- TFT full color display
- bottom, SoftClose, Soft opening
- 4 PC
- enamel anthracite
- HR,
- : 71 l
- 30 °C
- 
- Pyrolytic self-cleaning function
- : door lock electronical
- childproof lock Safety switch-off func oven Residual heat indicator start button
- E
- autom. temperature proposal
- actual temperature display heating-up control automatic programming Sabbath function
- 10
- 30 C - 300 C
- Telescopic
- (HxWxD mm) : 595 mm x 594 mm x 548 mm
- (HxWxD mm) : 585 mm - 595 mm x 560 mm - 568 mm x 550 mm
- 3600 W
- no plug
- : 120 .

**8, , 60 x 60 cm, Stainless steel**  
**HBG672BS1A**



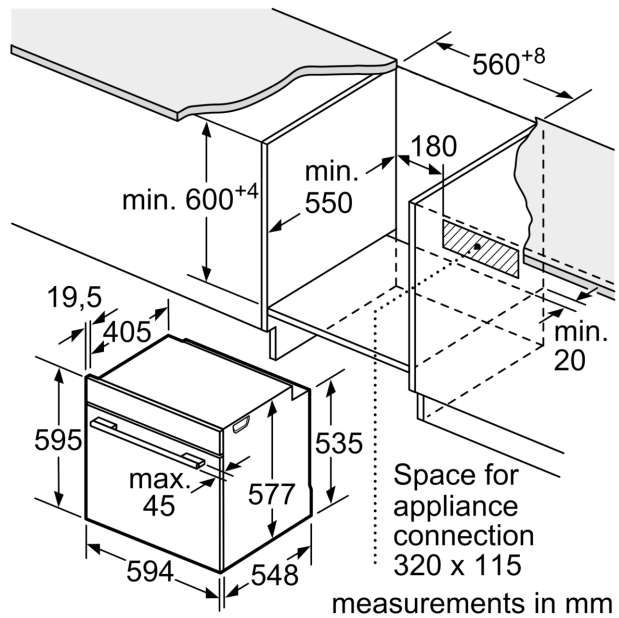
measurements in mm



measurements in mm

If the appliance will be installed underneath a hob, the following worktop thicknesses (including substructure if necessary) must be taken into account.

Hob type	min. worktop thickness	
	fitted	flush
Induction hob	37 mm	38 mm
Full surface Induction hob	47 mm	48 mm
Gas hob	30 mm	38 mm
Electric hob	27 mm	30 mm



measurements in mm