

4, , 90 cm, Stainless steel
DWB97FM50



DHZ1225 ; DHZ1235 ; DHZ9550 ; DHZ9551 ; DWZ0DX0A0 ; DWZ0DX0U0 ; DWZ0XX0J0 ; DWZ1DX1B4 ; DWZ1DX1I4 ; DWZ1DX1I6 ; DWZ1FX5C6 ; DWZ1FX5D1 ; DZZ0XX0P0 Active carbon filter, DZZ1XX1B6 Active carbon filter

• **TouchSelect:**

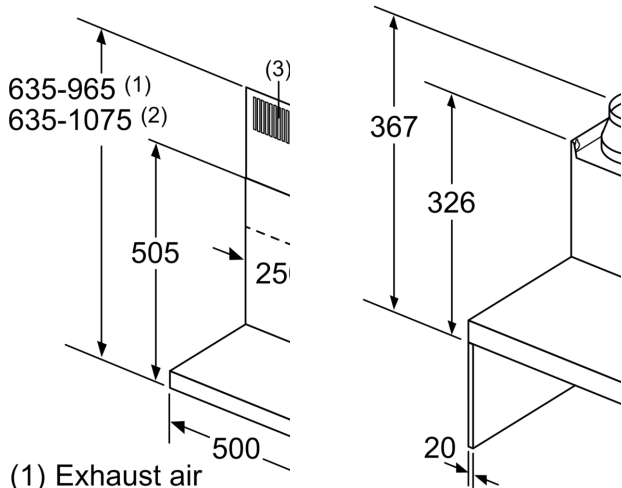
: Wall-mounted
: 130.0 .
:	Chimney:583-912/583-1022 mm
:	chimney: 53 mm
: 13.7 .
:
:
: 454 m ³ /h
:	boost : 499 m ³ /h
: 404 m ³ /h
:	boost : 739 m ³ /h
:2
:65 dB(A) re 1 pW
: 120 / 150 mm
:
:
:
:
: DHZ1225, DHZ1235, DHZ9550, DHZ9551, DWZ0DX0A0,
:	DWZ0DX0U0, DWZ0XX0J0, DWZ1DX1B4, DWZ1DX1I4, DWZ1DX1I6,
:	DWZ1FX5C6, DWZ1FX5D1, DZZ0XX0P0, DZZ1XX1B6
: LED
:
: 255 W
:	(): 10 A
: 220-240 V
: 50; 60 Hz
: Gardy plug w/ earthing
:
:
: Stainless steel
: Gardy plug w/ earthing
:	() (): x x
: 19.29 x 25.59 x 40.55
: 30.000
: 42.000
: chimney
:	No-return airflow flap:
: 130.0 .
:	(): 635-1075 MM x 900.0 x 500.0 mm
:	(xx): 490 x 650 x 1030 mm
: 13.7 .
: 19.1 .



4, , 90 cm, Stainless steel
DWB97FM50

- Stainless steel
- 90 . Wall mounted chimney hood
- AU
- WA
- 3-stage + intensive
- Twin channel
- Metal grease filter
- : 453 / , 739 /
- : 255 W

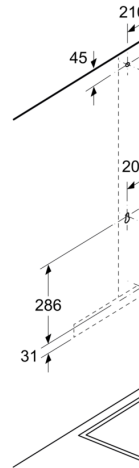
4, , 90 cm, Stainless steel
DWB97FM50



- (1) Exhaust air
- (2) Circulated air
- (3) Air outlet – slots for to be mounted face

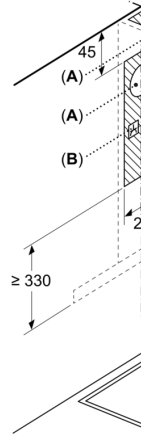
If a back panel is used the design of the appliance must be considered.

Measurements in mm



- A: Electric
- B: Gas - from upper part
- C: Electric - for Austr

Measurements in mm



- A: Exhaust air outlet
- B: Socket
- C: Electric
- D: Gas - from upper part
- E: Electric - for Austr