

**8, Built-in compact oven with steam function, 60 x 45 cm, Stainless steel**

**CSG656BS2B**

**45cm :**



HEZ36D163 :, HEZ36D163G :, HEZ530000 :, HEZ531010 :,  
 HEZ532010 :, HEZ617000 :, HEZ625071 Grill tray, HEZ631070 :,  
 HEZ632070 :, HEZ636000 :, HEZ638D18 1 telescopic rail, full ext,  
 45cm, steam, HEZ660050 :, HEZ660060 :, HEZ664000 :, HEZ915003 :

• **EcoClean Direct:**

• **TFT:**

---

:	.....	80.000
Built-in / Free-standing:	.....	
:	.....	
	( x x ):	..... 450-455 x 560-568 x 550 mm
:	.....	455 x 594 x 548 mm
	( x x ):	..... 520 x 650 x 680 mm
:	.....	Stainless steel
:	.....	Glass
:	.....	33.9 .
:	.....	150.0 .
:	Defrost, Steam 100%, fermentation, Regeneration, 4D hot air, Full width grill, Hot Air-Eco, Half width grill, Conventional heat, Conventional heat ECO, Pizza setting, , , , pre-heating,	
:	.....	
( ):	.....	16 A
:	.....	220-240 V
:	.....	50; 60 Hz
:	.....	no plug
:	.....	
( ):	.....	16 A
:	.....	220-240 V
:	.....	50; 60 Hz
:	.....	no plug
:	.....	20.47 x 25.59 x 26.77
:	.....	75.000

---



## **8, Built-in compact oven with steam function, 60 x 45 cm, Stainless steel**

**CSG656BS2B**

**45cm :**

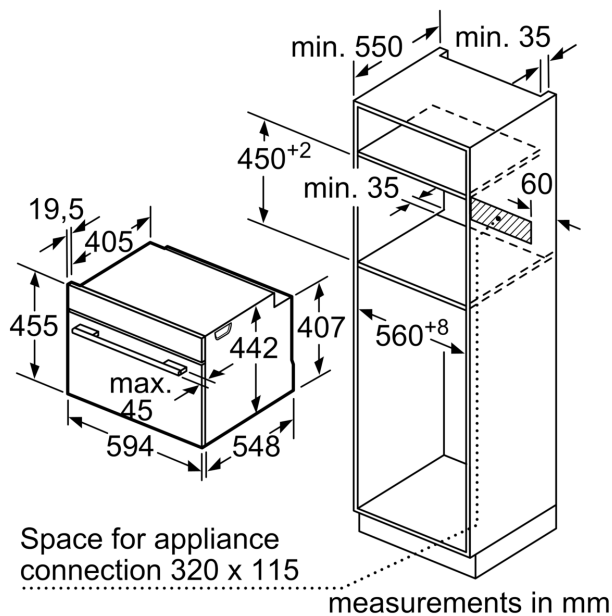
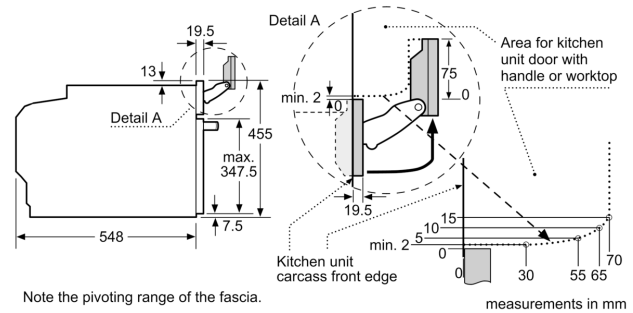
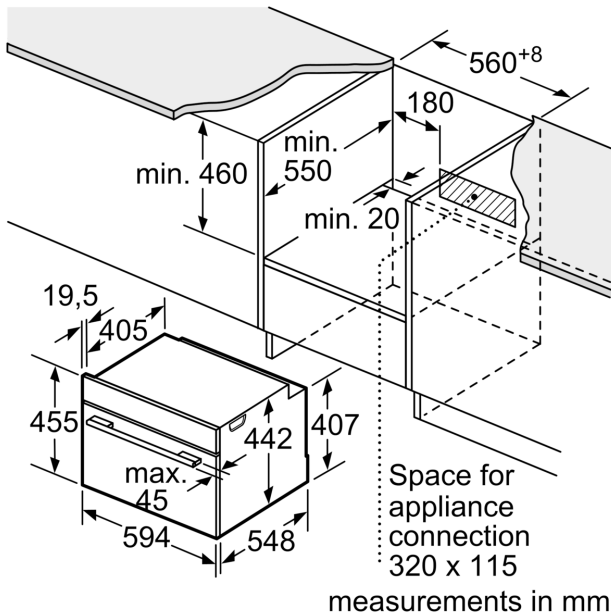
- 
- 1 2 :
  - 4D hot air
  - Hot Air-Eco Conventional heat Conventional heat ECO Hot air grilling Full width grill Half width grill Pizza setting Bottom heat low temperature cooking pre-heating warming
  - 30C - 250C
  - : 47 l

- Ecolyse features: ceiling, back panel, side liners

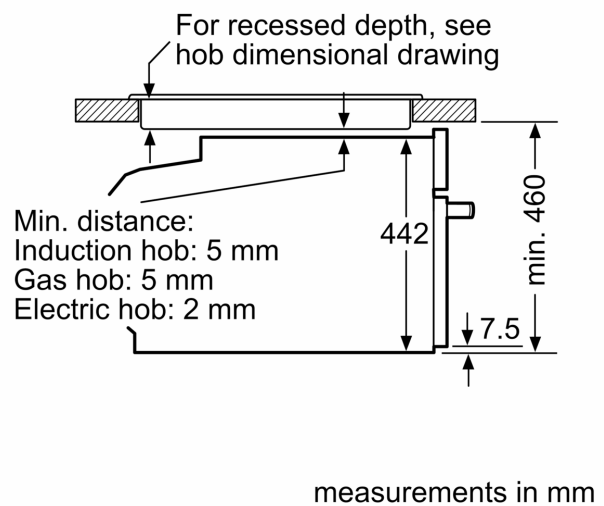
- IC6\_CBO\_62
- E
- :
- descaling programme
- autom. boiling point detection Drying function
- bottom, SoftClose, Soft opening
- LL,
- Water tank 1 l
- Water Level Indicator: Y
- 
- : childproof lock
- Safety switch-off func oven Residual heat indicator start button

- : 150 .
- (HxWxD mm) : 455 mm x 594 mm x 548 mm

**8, Built-in compact oven with steam function, 60 x 45 cm, Stainless steel  
CSG656BS2B**



Installation with a hob.



If the compact appliance will be installed underneath a hob, the following worktop thicknesses (including substructure if necessary) must be taken into account.

<b>Hob type</b>	<b>min. worktop thickness</b>	
	fitted	flush
Induction hob	42 mm	43 mm
Full surface Induction hob	52 mm	53 mm
Gas hob	32 mm	43 mm
Electric hob	32 mm	35 mm