

**Series 4, Condenser Tumble Dryer, 8 kg, Silver inox
WTM8327SA**



B



Our condensation dryer. Crease-resistant and especially gentle to your laundry. Surprisingly quiet at the same time.

- **Auto Dry:** automatically dries to the exact degree of dryness you want.
- **Anti Vibration Design:** extremely stable and especially quiet thanks to special vibration protection.
- **Fast drying:** dries your laundry considerably faster than before.
- **Sensitive Drying System:** for gentle drying without wrinkles.
- **Allergy Plus:** specially developed for the needs of allergy sufferers and sensitive skin.

Built-in / Free-standing: Free-standing
 Removable top: No
 Door hinge: Right
 Length electrical supply cord: 145.0 cm
 Dimensions: 842 x 598 x 613 mm
 Net weight: 41.4 kg
 EAN code: 4242005194933
 Connection rating: 2800 W
 Fuse protection: 13/10 A
 Voltage: 220-240 V
 Frequency: 50 Hz
 Loading capacity: 8.0 kg
 Energy efficiency class: B
 Energy consumption electric dryer, full load - NEW (2010/30/EC) 4.63 kWh
 Standard cotton programme time at full load: 137 min
 Energy consumption electric dryer, partial load - NEW (2010/30/EC): 2.61 kWh
 Standard cotton programme time at partial load: 79 min
 Weighted annual energy consumption, electric dryer - NEW (2010/30/EC): 560.0 kWh/annum
 Weighted programme time: 104 min
 Average condensation efficiency full load (%): 88 %
 Average condensation efficiency partial load (%): 88 %
 Weighted condensation efficiency (%): 88 %

- WTZ1110 Condenser drainage kit
- WTZ2041X Stacking kit
- WMZ20540G Platform with pull-out
- WMZ20600 Wool in basket - accessory



Series 4, Condenser Tumble Dryer, 8 kg, Silver inox WTM8327SZA

Our condensation dryer. Crease-resistant and especially gentle to your laundry. Surprisingly quiet at the same time.

Engine power/Consumption

- Full load: 8 kg
- Dryer type: Condenser
- Energy efficiency class: B
- Energy consumption 560.0 kWh per year, based on 160 drying cycles of the standard cotton programme at full and partial load, and the consumption of the low-power modes. Actual energy consumption per cycle will depend on how the appliance is used
- Energy consumption of the standard cotton programme at full load 4.63 kWh and energy consumption of the standard cotton programme at half load 2.61 kWh
- Power consumption in off-mode 0.1 W and in left-on mode 0.5 W
- The programme Cotton cupboard dryused at full and partial load is the standard drying programme to which the information in the label and the fiche relates, this programme is suitable for drying normal wet cotton laundry and is the most efficient programme in terms of energy consumption for cotton.
- Weighted programme time of the standard cotton programme at full and partial load: 104 min.
- Programme time of the standard cotton programme at full load 137 min and programme time of the standard cotton programme at partial load 79 min.
- Condensation efficiency class B on a scale from G (least efficient) to A (most efficient).
- Average condensation efficiency of the standard cotton programme at full load 88 % and average condensation efficiency of the standard cotton programme at partial load 88 %.
- Weighted condensation efficiency for the standard cotton programme at full and partial load: 88 %.
- Noise level: 64 dB (A) re 1 pW

Programmes

- Special programmes: Woollens, Mixed Load, Time program warm, Time program cold, Sportswear, downs clothes, Super 40, Shirts 15

Options

- Anti crease cycle 120 min at the end of the programme
- Touch control buttons: Low Heat, Reduced Ironing, 24 h Ready in

Comfort and Safety

- Fully electronic control dial for sensor programmes and timed programmes
- Fully electronic control dial for sensor drying programmes, timed and special programmes
- LED-Display for remaining time and 24 h end time delay, programme status indication, special functions
- Sensitive Drying System: Big Stainless steel drum with textile care structure, soft design paddles
- AntiVibration
- Child Lock
- Buzzer to indicate the end of cycle
- Pull-Open latch
- Metal door catch
- Door hinge: right-hand

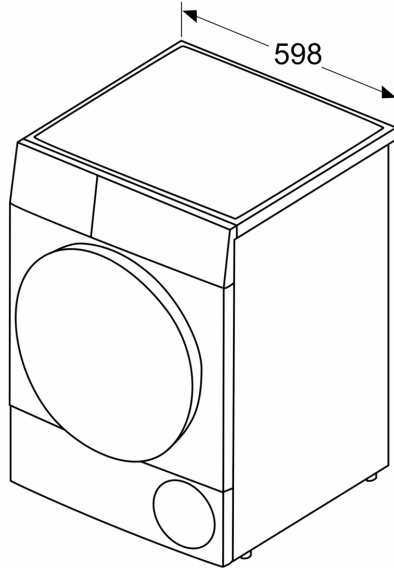
General Information

- Dimensions (H x W x D): 84.2 x 59.8 x 61.3 cm
- Slide-Under



**Series 4, Condenser Tumble Dryer, 8
kg, Silver inox
WTM8327SZA**

Measurements in mm



Measurements in mm

