

**iQ500, Condenser Tumble Dryer,
8 kg, Silver inox
WT46G40SZA**



B



WZ11330	Stacking kit
WZ20160	Condenser drainage kit
WZ20540G	Platform with pull-out

iSensoric condenser dryer with sensor-controlled autoDry technology for preventing laundry shrinkage.

- ✓ Large LED display - Options and functions always in view and easy to use.
- ✓ Save time with the fast and efficient dryers from Siemens - speedPack
- ✓ Sensor-controlled autoDry technology prevents laundry from shrinking when being dried
- ✓ Outdoor programme – Dry your waterproof and outdoor clothing safely.
- ✓ easyClean filter: Easy to keep clean

Design: Free-standing

Removable top:	No
Door opening:	Right
Length electrical supply cord:	145.0 cm
Dimensions:	842 x 598 x 613 mm
Net weight:	42.3 kg
EAN code:	4242003872147
Connection rating:	2800 W
Fuse protection:	13/10 A
Voltage:	220-240 V
Frequency:	50 Hz
Capacity:	8.0 kg
Energy efficiency:	B
Energy consumption electric dryer, full load - NEW (2010/30/EC):	4.63 kWh
Standard cotton programme time at full load:	137 min
Energy consumption electric dryer, partial load - NEW (2010/30/EC):	2.61 kWh
Standard cotton programme time at partial load:	82 min
Weighted annual energy consumption, electric dryer - NEW (2010/30/EC):	561.0 kWh/annum
Weighted programme time:	106 min
Average condensation efficiency full load (%):	88 %
Average condensation efficiency partial load (%):	88 %
Weighted condensation efficiency (%):	88 %



iQ500, Condenser Tumble Dryer, 8 kg, Silver inox WT46G40SZA

- Full load: 8 kg
- Dryer type: Condenser
- Energy efficiency class: B
- Energy consumption 561.0 kWh per year, based on 160 drying cycles of the standard cotton programme at full and partial load, and the consumption of the low-power modes. Actual energy consumption per cycle will depend on how the appliance is used
- Energy consumption of the standard cotton programme at full load 4.63 kWh and energy consumption of the standard cotton programme at half load 2.61 kWh
- Power consumption in off-mode 0.1 W and in left-on mode 0.75 W
- The programme Cotton cupboard dryused at full and partial load is the standard drying programme to which the information in the label and the fiche relates, this programme is suitable for drying normal wet cotton laundry and is the most efficient programme in terms of energy consumption for cotton.
- Weighted programme time of the standard cotton programme at full and partial load: 106 min.
- Programme time of the standard cotton programme at full load 137 min and programme time of the standard cotton programme at partial load 82 min.
- Condensation efficiency class B on a scale from G (least efficient) to A (most efficient).
- Average condensation efficiency of the standard cotton programme at full load 88 % and average condensation efficiency of the standard cotton programme at partial load 88 %.
- Weighted condensation efficiency for the standard cotton programme at full and partial load: 88 %.
- Noise level: 65 dB (A) re 1 pW

Programmes

- Special programmes: Woollens, Mixed Load, outdoor, Time program warm, Time program cold, Lingerie, Super 40, Shirts 15
- Anti crease cycle 120 min at the end of the programme
- Touch control buttons: Low Heat, Buzzer, Reduced Ironing, 24 h Ready in

Comfort and Safety

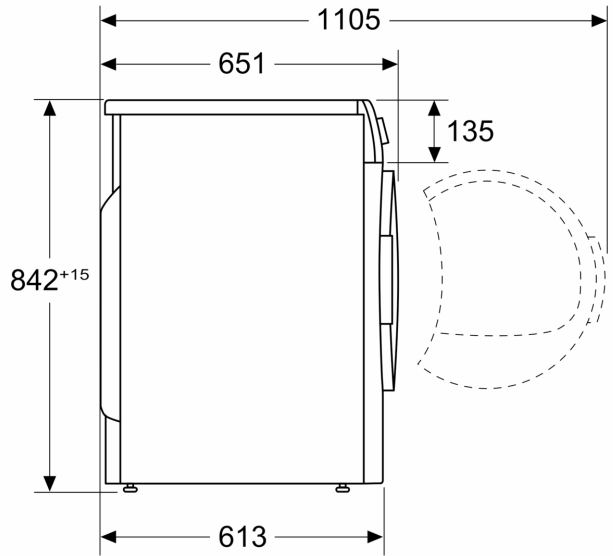
- Fully Electronic Control
- soft dial
- Large LED-Display for remaining time and 24 h end time delay, programme status indication, special functions.
- Air flow Drying System: Big Stainless steel drum structure, soft design paddles
- Protection filter for condensor
- AntiVibration
- Child Lock
- Buzzer to indicate the end of cycle
- Pull-Oen latch
- Door hinge: right-hand
- Container for condensed water

General Information

- Dimensions (H x W x D): 84.2 x 59.8 x 61.3 cm
- Slide-Under

**iQ500, Condenser Tumble Dryer,
8 kg, Silver inox
WT46G40SZA**

Measurements in mm



Measurements in mm

