

**iQ300, Vented Tumble Dryer, 7 kg  
WT36A201IN**



iQ 300 vented dryer with large, easy-to-read display, and even faster drying cycles in all programmes.

- ✓ Full load: 7 kg
- ✓ Dryer type: Vented Dryer
- ✓ Energy efficiency class: C
- ✓ Autom thr electr damp detect
- ✓ Energy consumption 482.0 kWh per year, based on 160 drying cycles of the standard cotton programme at full and partial load, and the consumption of the low-power modes. Actual energy consumption per cycle will depend on how the appliance is used

WZ20180	Exhaust air hose
WZ20311	Stacking kit
WZ20500	Platform with pull-out

Design: .....	Free-standing
Removable top: .....	No
Door opening: .....	Right
Length electrical supply cord: .....	145.0 cm
Height of removable worktop: .....	0 mm
Dimensions: .....	842 x 598 x 601 mm
Net weight: .....	33.0 kg
EAN code: .....	4242003628645
Connection rating: .....	2000 W
Fuse protection: .....	10 A
Voltage: .....	220-240 V
Frequency: .....	50 Hz
Capacity: .....	7.0 kg
Energy efficiency: .....	C
Energy consumption electric dryer, full load - NEW (2010/30/EC):	3.90 kWh
Standard cotton programme time at full load: .....	128 min
Energy consumption electric dryer, partial load - NEW (2010/30/EC):	2.29 kWh
Standard cotton programme time at partial load: .....	77 min
Weighted annual energy consumption, electric dryer - NEW (2010/30/EC): .....	482.0 kWh/annum
Weighted programme time: .....	97 min



## iQ300, Vented Tumble Dryer, 7 kg WT36A201IN

### Engine power/Consumption

- Full load: 7 kg
- Dryer type: Vented Dryer
- Energy efficiency class: C
- Autom thr electr damp detect
- Energy consumption 482.0 kWh per year, based on 160 drying cycles of the standard cotton programme at full and partial load, and the consumption of the low-power modes. Actual energy consumption per cycle will depend on how the appliance is used
- Energy consumption of the standard cotton programme at full load 3.9 kWh and energy consumption of the standard cotton programme at half load 2.29 kWh
- Power consumption in off-mode 0.1 W and in left-on mode 1 W
- Duration of left-on mode: 0 min
- The programme Cotton cupboard dryused at full and partial load is the standard drying programme to which the information in the label and the fiche relates, this programme is suitable for drying normal wet cotton laundry and is the most efficient programme in terms of energy consumption for cotton.
- Weighted programme time of the standard cotton programme at full and partial load: 97 min.
- Programme time of the standard cotton programme at full load 128 min and programme time of the standard cotton programme at partial load 77 min.
- Noise level: 65 dB (A) re 1 pW

### Programmes

- Special programmes: Woollens, Mixed Load, outdoor, towels, Time program warm, Time program cold, Lingerie, Super 40, shirts/blouses

### Options

- Anti crease cycle 60 min at the end of the programme
- Short-stroke buttons: start/pause, Low Heat, Buzzer, Reduced Ironing, programme length, Fine-tuning of drying aim, 24 h Ready in

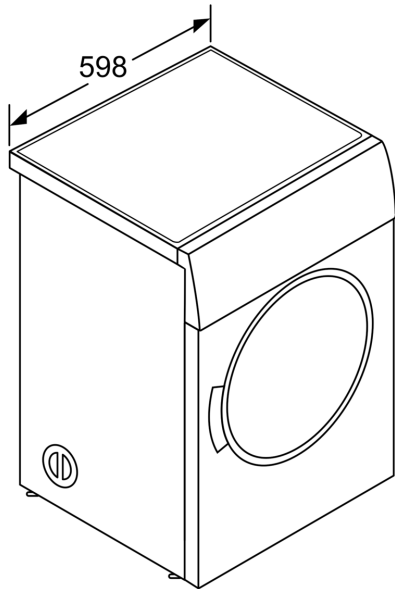
### Comfort and Safety

- Fully Electronic Control
- Fully electronic control dial for sensor drying programmes, timed and special programmes
- LED-Display for remaining time and 24 h end time delay, programme status indication, special functions
- Air flow Drying System: Big Galvalume structure, soft design paddles
- AntiVibration
- Child Lock
- Buzzer to indicate the end of cycle
- Large white Round door, door hinge on right
- Pull-Oen latch
- Door hinge: right-hand

### General Information

- Dimensions (H x W x D): 84.2 x 59.8 x 60.1 cm
- Slide-Under

**iQ300, Vented Tumble Dryer, 7 kg  
WT36A201IN**



measurements in mm