

**iQ700, Heat Pump Tumble Dryer,
9 kg
WQ45B2A0ZA**



A+++

An exceptional heatpump dryer with Smart Dry powered by Home Connect. Maximise your energy savings with A+++ -10%* and the Self Cleaning condenser. Protect your Garments with Auto Dry and reduce your ironing Pile with Iron Assist.

- ✓ Energy label A+++ - Our most energy-efficient dryer.
- ✓ Access and control your dryer where ever you are - Home Connect App (Android and iOS).
- ✓ Super40: Fast and careful drying of small loads
- ✓ smartFinish – Smooth away creases to cut down on ironing.
- ✓ Half load - Optimize the duration of smaller loads with an accurate estimation of the selected program.

WZ20600	Wool in basket - accessory
WZ27500	Stacking kit with pull-out shelf
WZ27510	Stacking kit
WZDP20D	Platform with pull-out, dryer, cubic

Design:	Free-standing
Removable top:	No
Door opening:	Right reversible
Length electrical supply cord:	145.0 cm
Dimensions:	842 x 598 x 613 mm
Net weight:	57.2 kg
Fluorinated greenhouse gases:	No
Type of refrigerant:	R290
Hermetically sealed equipment:	Yes
EAN code:	4242003928349
Connection rating:	600 W
Fuse protection:	10 A
Voltage:	220-240 V
Frequency:	50 Hz
Capacity:	9.0 kg
Energy efficiency:	A+++ : exceptionally efficient
Energy consumption electric dryer, full load - NEW (2010/30/EC):	1.60 kWh
Standard cotton programme time at full load:	195 min
Energy consumption electric dryer, partial load - NEW (2010/30/EC):	0.89 kWh
Standard cotton programme time at partial load:	125 min
Weighted annual energy consumption, electric dryer - NEW (2010/30/EC):	193.0 kWh/annum
Weighted programme time:	155 min
Average condensation efficiency full load (%):	88 %
Average condensation efficiency partial load (%):	88 %
Weighted condensation efficiency (%):	88 %



iQ700, Heat Pump Tumble Dryer, 9 kg WQ45B2A0ZA

- WQ45B2A0ZA
- tumble dryer with heat pump

Engine power/Consumption

- Energy Efficiency Class¹: A+++
- 10% more efficient than energy efficiency class A+++***
- Energy²: 193 kWh
- Capacity: 1 - 9 kg
- Programme time³: 195 min
- Noise level: 61 dB (A) re 1 pW
- Condensation efficiency class⁴: B

Programmes

- standard programmes: cotton, easy care
- Iron Assist/smartFinish
- Bed Linen Program: reduces tangling of big items thanks to reversible drum
- Silent Dry: Special program for noise reduced drying
- programmes via app: Lingerie, Time program cold
- Special programmes: App, Cottons, Bed linens, shirts/blouses, Cotton Eco, towels, Hygiene, Iron Assist/smartFinish, Mixed Load, outdoor, Super 40, Synthetic, wool drying in basket, Time program warm

Options

- smartDry/IntelligentDry
- Speed Perfect: Reduce drying time in selected programmes
- Half Load option: optimizes drying for smaller loads
- Anti crease cycle 120 min at the end of the programme
- Touch control buttons: 1 shirt, 5 shirts, basic setup, Iron dry, Business, Cupboard dry, Cupboard dry+, Ready in, Half load, Child lock, Reduced Ironing, My favorite, Power button, Remote Start, Low Heat, smartDry/IntelligentDry, Start / Reload / Pause, 24 h Ready in

Comfort and Safety

- SC1R
- Elegant and ergonomically inclined control panel for easy use
- load recommendation
- reload indication
- Fully Electronic Control
- Jog dial w mech. button
- Air flow Drying System: Big Stainless steel drum structure, soft design paddles
- AntiVibration
- Wool drying basket, Wool drying basket
- Container for condensed water
- Child Lock
- Buzzer to indicate the end of cycle
- Usage meter: counts completed programmes
- Door hinge: right-hand, reversible
- Metal door catch

General Information

- Slide-Under
- Dimensions (H x W): 84.2 cm x 59.8 cm
- Appliance depth: 61.3 cm
- Appliance depth incl. door: 66.5 cm
- Appliance depth with open door: 110.5 cm
- Heat pump technology with eco-friendly cooling agent R290

¹ At a range of energy efficiency classes from A+++ to D

² Energy consumption kWh per year, based on 160 drying cycles of the standard cotton programme at full and partial load, and the consumption of the low power modes

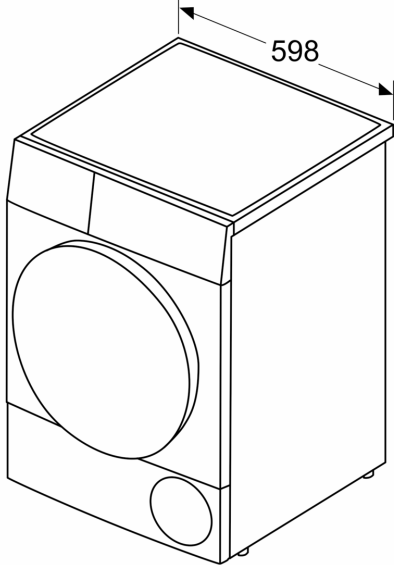
³ Programme time of the standard cotton programme at full load

⁴ On a condensation efficiency class scale from A to G

⁵ Weighted condensation efficiency for the standard cotton programme at full and partial load

**iQ700, Heat Pump Tumble Dryer,
9 kg
WQ45B2A0ZA**

Measurements in mm



Measurements in mm

