

**iQ300, Condenser Tumble Dryer,
9 kg, Silver inox
WP41G0XZA**



iSensoric condenser dryer with sensor-controlled autoDry technology and softDry drum for optimal textile care.

- ✓ simpleTouch LED display: Shows all relevant information clearly and is easy to use
- ✓ Sensor-controlled autoDry technology prevents laundry from shrinking when being dried
- ✓ Super40: Fast and careful drying of small loads
- ✓ Half load - Optimize the duration of smaller loads with an accurate estimation of the selected program.
- ✓ Outdoor programme – Dry your waterproof and outdoor clothing safely.



Design: Free-standing
 Removable top: No
 Door opening:Right
 Length electrical supply cord: 145.0 cm
 Dimensions: 842 x 598 x 613 mm
 Net weight: 41.7 kg
 EAN code: 4242003897027
 Connection rating: 2800 W
 Fuse protection: 13/10 A
 Voltage: 220-240 V
 Frequency: 50 Hz
 Capacity: 9.0 kg
 Energy efficiency: C



WZ1141X	Stacking kit
WZ20160	Condenser drainage kit
WZ20600	Wool in basket - accessory

iQ300, Condenser Tumble Dryer, 9 kg, Silver inox WP41G0XZA

- iSensoric
- Condensation dryer
- EcoSilence Drive
- Housing in silver inox and stainless steel

Engine power/Consumption

- Energy Efficiency Class¹: C
- Capacity: 1 - 9 kg
- Noise level: 64 dB (A) re 1 pW
- Condensation efficiency class⁴: B

Programmes

- Special programmes: Woollens, Mixed Load, outdoor, towels, Time program warm, Time program cold, Lingerie, Super 40, Shirts 15

Options

- Anti crease cycle 120 min at the end of the programme
- Touch control buttons: Low Heat, Buzzer, Reduced Ironing, 24 h Ready in

Comfort and Safety

- Fully Electronic Control
- Fully electronic control dial for sensor drying programmes, timed and special programmes
- LED-Display for remaining time and 24 h end time delay, programme status indication, special functions
- Air flow Drying System: Big Stainless steel drum structure, soft design paddles
- AntiVibration
- Container for condensed water
- Child Lock
- Buzzer to indicate the end of cycle
- Pull-Open latch
- Metal door catch
- Door hinge: right-hand

General Information

- Slide-Under
- Dimensions (H x W x D): 84.2 x 59.8 x 61.3 cm
- Dimensions (H x W): 84.2 cm x 59.8 cm
- Appliance depth: 61.3 cm
- Appliance depth incl. door: 64.8 cm
- Appliance depth with open door: 109.6 cm

¹ At a range of energy efficiency classes from A+++ to D

² Energy consumption kWh per year, based on 160 drying cycles of the standard cotton programme at full and partial load, and the consumption of the low power modes

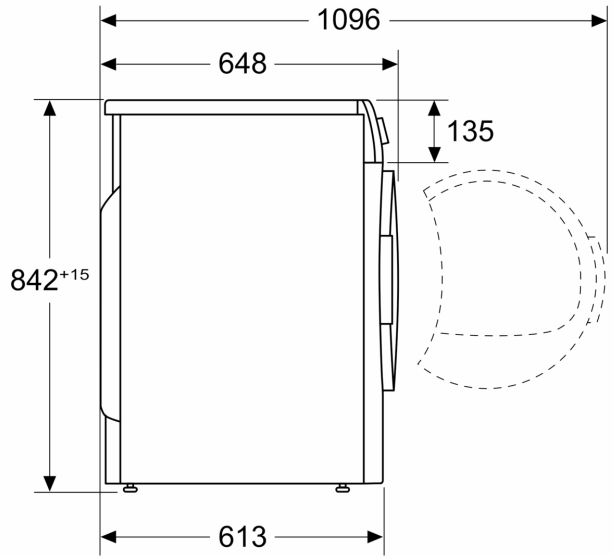
³ Programme time of the standard cotton programme at full load

⁴ On a condensation efficiency class scale from A to G

⁵ Weighted condensation efficiency for the standard cotton programme at full and partial load

**iQ300, Condenser Tumble Dryer,
9 kg, Silver inox
WP41G0XZA**

Measurements in mm



Measurements in mm

