

iQ300, Frontloader Washing Machine, 8 kg, , Silver inox WM14U288ZA



A+++

Automatic washing machine with EcoSilence Drive™: quiet operation and durability that you can rely on.

- ✓ speedPack L – Speed up programmes, or wash in just 15 minutes.
- ✓ LED display simple touch - Shows all relevant information clearly and is easy to use thanks to touch buttons.
- ✓ Efficient, quiet, and durable with guarantee - iQdrive with 10 year guarantee
- ✓ Get perfectly clean laundry in up to 65% less time with varioSpeed.
- ✓ waveDrum - Highly effective and extremely gentle laundry care

Maximum capacity in kg (EU 2017/1369):	8.0 kg
Design:	Free-standing
Door opening:	Left
Color / Material body:	Silver inox
Length electrical supply cord:	160.0 cm
Height of the appliance:	848 mm
Dimensions of the product:	848 x 598 x 590 mm
Wheels:	No
Net weight:	70.9 kg
Drum volume:	65 l
Connection rating:	2300 W
Fuse protection:	10 A
Voltage:	220-240 V
Frequency:	50 Hz



WX975600 Floor securing component
 WZ10131 Extension for cold water inlet /Aquastop

iQ300, Frontloader Washing Machine, 8 kg, , Silver inox WM14U288ZA

- Ferrite-BLDC
- BLDC with warranty

Engine power/Consumption

- Capacity: 8 kg
- Energy Efficiency Class: A+++
- Energy consumption :137 kWh per year, based on 220 standard washing cycles
- Energy consumption:standard 60 °C cotton programme 1 kWh full load and 0.32 kWh partial load and 40 °C cotton programme 0.32 kWh partial load
- Weighted power consumption off-mode / left-on mode: 0.1 W / 0.5 W
- Water consumption 9900 litres per year, based on 220 standard washing cycles
- B spin class
- Maximum spin speed: 1400rpm
- Remaining moisture:53 %
- Programme time:60 °C cotton programme 210 min at full load 160 min at partial load and 40 °C cotton programme 160 min partial load
- Programme time:60 °C cotton programme 210 min at full load 160 min at partial load and 40 °C cotton programme 160 min partial load
- Noise level spinning:73dB (A) re 1 pW:

Programmes

Options

- VarioPerfect: time- or energy optimized programs with perfect wash performance
- Touch control buttons

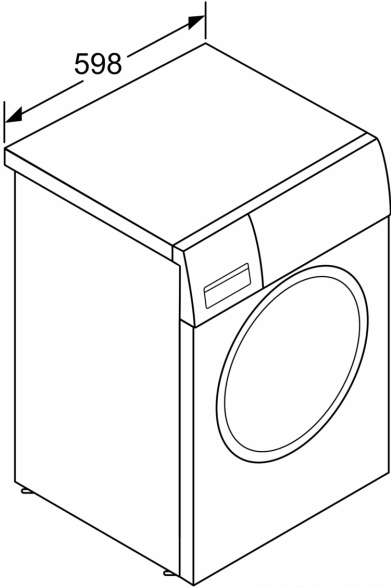
Comfort and Safety

- Reload function: Be flexible in adding laundry items even after start of the wash cycle.
- waveDrum
- Multiple water protection
- Large display for programme progress indication, temperature, spin speed, remaining time, 24 h end time delay and load recommendation
- Large display for temperature, spin speed, remaining time, 24 h end time delay and load recommendation
- Fully electronic control dial for all wash- and special programs
- AntiVibration Design: more stability and quietness
- Aquatronic wash system
- Recommended Load
- Loading introduction
- Foam detection system
- Safeguard monitoring system adjusts load distribution
- easy clean
- Child Lock
- Buzzer
- Metal door catch
- magnet with pull-open latch

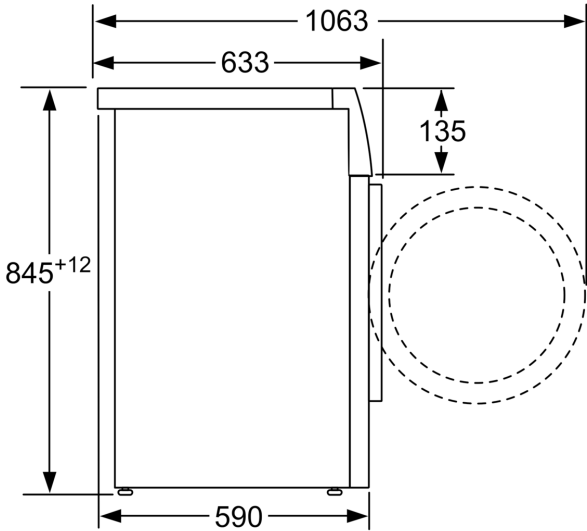
General Information

- Dimensions (H x W x D): 84.8 x 59.8 x 59 cm
- Slide-Under

iQ300, Frontloader Washing Machine, 8 kg, , Silver inox
WM14U288ZA



measurements in mm



measurements in mm