

**Series 6, Frontloader Washing Machine, 10 kg, , Silver inox  
WGK254ZXZA**



**A+++**



**The new connected 10kg washing machine with balcony design panel with special set of steam solutions Iron Steam Assist and Added Steam and over 20 Washing Programmes available via Home Connect app ensures perfect washing results.**

- **10kg capacity** gives you the opportunity to fit more in one wash, saving time and energy while providing perfect washing results.
- **With Iron Steam Assist**, wrinkles on your laundry are reduced by up to 50%.
- **Pre-Soaking option** conveniently helps you remove stubborn and ground-in stains from fabrics by giving you flexible and automatic soaking phase.
- **Speed Perfect**: perfectly clean in up to 65% less time. <sup>1</sup>
- **Reload function**: forgot an item? Add it easily to the wash.

---

Maximum capacity in kg (EU 2017/1369): .....	10.0 kg
Built-in / Free-standing: .....	Free-standing
Door hinge: .....	Left
Color / Material body: .....	Silver inox
Length electrical supply cord: .....	160 cm
Height of the appliance: .....	845 mm
Dimensions of the product: .....	845x598x590 mm
Wheels: .....	No
Net weight: .....	72.2 kg
Drum volume: .....	70 l
Connection rating: .....	2300 W
Fuse protection: .....	10 A
Voltage: .....	220-240 V
Frequency: .....	50 Hz

---



<sup>1</sup> Difference between the duration of Easy Care Programme 40°C and the duration of Easy Care Programme 40°C in combination with Speed Perfect option.

## Series 6, Frontloader Washing Machine, 10 kg, , Silver inox WGK254ZXZA

**The new connected 10kg washing machine with balcony design panel with special set of steam solutions Iron Steam Assist and Added Steam and over 20 Washing Programmes available via Home Connect app ensures perfect washing results.**

- Elegant and ergonomically inclined control panel for easy use
- Ferrite-BLDC
- BLDC with warranty
- 10 kg 1400 r/min

### Engine power/Consumption

- Capacity: 10 kg
- Energy Efficiency Class: A+++
- Energy consumption :167 kWh per year, based on 220 standard washing cycles
- Energy consumption:standard 60 °C cotton programme 1.18 kWh full load and 0.41 kWh partial load and 40 °C cotton programme 0.41 kWh partial load
- Weighted power consumption off-mode / left-on mode: 0.5 W / 0.5 W
- Water consumption 11000 litres per year, based on 220 standard washing cycles
- B spin class
- Maximum spin speed: 1400rpm
- Remaining moisture: 53 %
- Programme time:60 °C cotton programme 205 min at full load 160 min at partial load and 40 °C cotton programme 160 min partial load
- Programme time:60 °C cotton programme 205 min at full load 160 min at partial load and 40 °C cotton programme 160 min partial load

### Programmes

- Iron Assist: Steam programme that reduces wrinkles on dry clothes
- Additional programmes in Home Connect: Drum clean with reminder, dark laundry, Shirts, Less microplastic, Outdoor, Sports/fitness, Sports shoes
- Downloadable programmes in Home Connect: Kidswear, Baby Diapers, Plush Toy

### Options

- PreTreatment: Works against stubborn stains.
- AntiStain: Automatic removal of the most common stains.
- Touch control buttons
- Home Connect: Smart Start, Remote Monitoring and Control, Care Dashboard, Statistics, and further programmes via download. Always keep your appliance up to date via firmware update.
- Mini load: Wash single items and small loads quickly and efficiently
- Wrinkle Guard: Gentle drum rotation after the wash cycle to avoid wrinkles
- Speed Perfect: Up to 65% reduced washing cycle \*\*\*
- The option "Added Steam" can reduce wrinkles by up to 40% during the wash cycle.\*\*\*\*\*

### Comfort and Safety

- Reload function: Be flexible in adding laundry items even after start of the wash cycle.
- waveDrum
- Multiple water protection
- Large display for programme progress indication, temperature, spin speed, remaining time, 24 h end time delay and load recommendation
- AntiVibration Design: more stability and quietness
- 3D AquaSpa wash system with cascade for faster water penetration
- Recommended Load
- Loading introduction
- Foam detection system
- Safeguard monitoring system adjusts load distribution
- easy clean
- Overdosage Indication
- Child Lock

### General Information

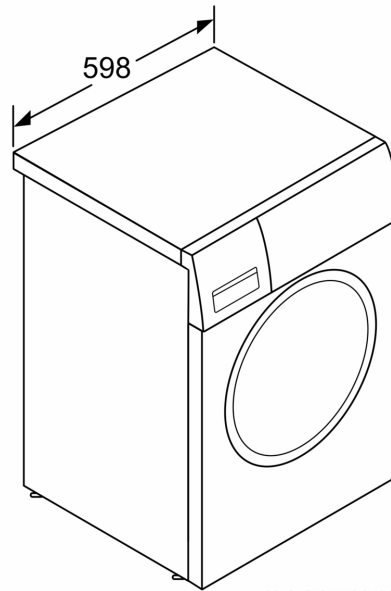
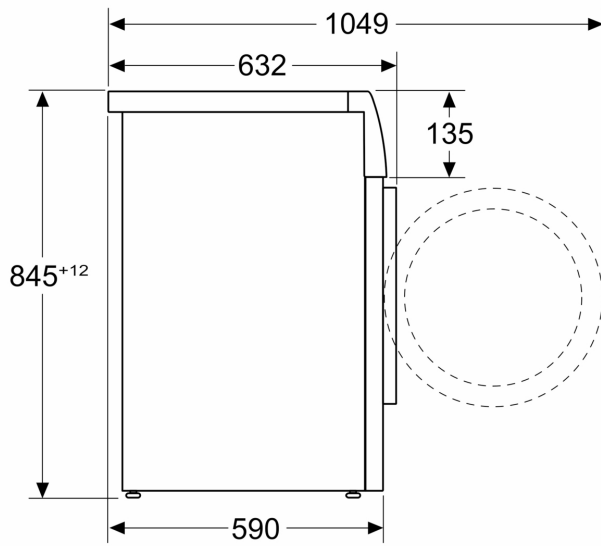
- Dimensions (H x W): 845 mm x 598 mm
- Dimensions (H x W x D): 845 mm x 598 mm x 590 mm
- Appliance depth incl. door: 632 mm
- Appliance depth: 590 mm

\*\*\*Difference between the duration of Easy Care Programme 40°C and the duration of Easy Care Programme 40°C in combination with Speed Perfect option.

\*\*\*\*\* Test No. Nr. E-0096-PT-24 of the Deutschen Institute für Textil- und Faserforschung Denkendorf (DITF) of 20.02.24, related to the crease reduction of commercial cotton garments (T-shirts and shirts) in the Mix Program with a 4 kg load and activated Added Steam Option in comparison to textiles not treated with Added Steam option according to DIN EN ISO 15487.

**Series 6, Frontloader Washing  
Machine, 10 kg, , Silver inox  
WGK254ZXZA**

Measurements in mm



measurements in mm