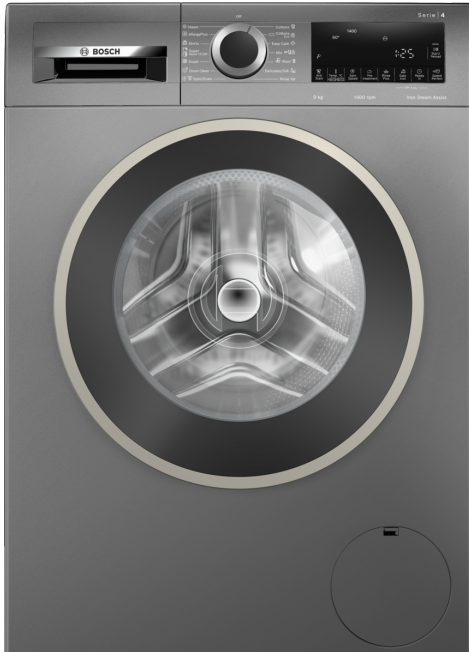


Series 4, Frontloader Washing Machine, 9 kg, 1400 rpm WGA244ZRZA



- With Iron Steam Assist, wrinkles on your laundry are reduced by up to 50%.
- Anti Stain Plus: removes up to 16 kinds of stubborn stains without pre-treatment.
- EcoSilence Drive™: extremely energy-efficient and quiet in operation with a 10-year warranty.
- Super Quick 30 is a convenient method of freshening up light-soiled laundry in 30 minutes
- Pre-Soaking option conveniently helps you remove stubborn and ground-in stains from fabrics by giving you flexible and automatic soaking phase.



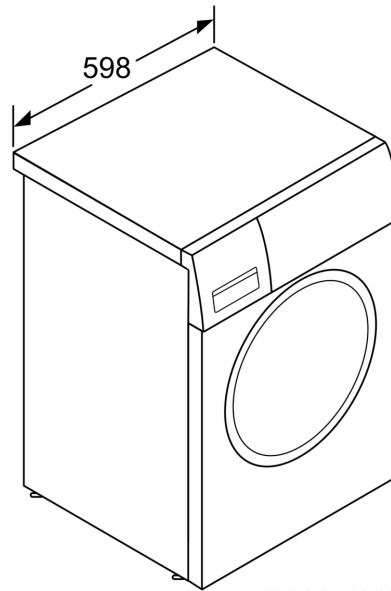
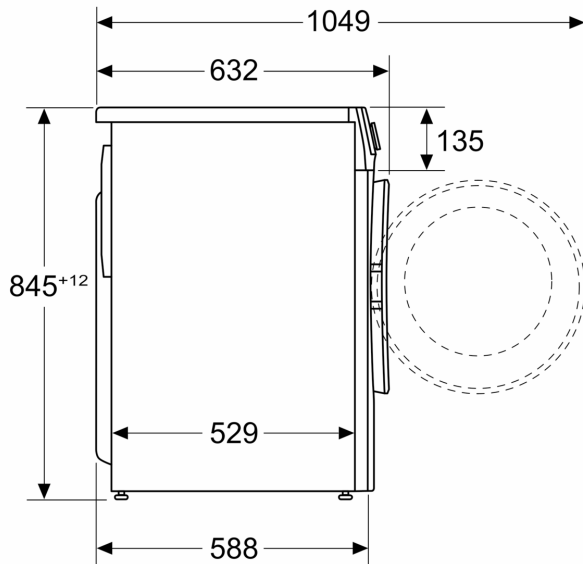
Maximum capacity in kg (EU 2017/1369):	9.0 kg
Built-in / Free-standing:	Free-standing
Door hinge:	Left
Length electrical supply cord:	160.0 cm
Height of the appliance:	845 mm
Dimensions of the product:	845 x 598 x 588 mm
Wheels:	No
Net weight:	71.3 kg
Drum volume:	65 l
Connection rating:	2300 W
Fuse protection:	10 A
Voltage:	220-240 V
Frequency:	50 Hz



WMZ2200 Floor securing component
 WMZ2381 Extension for cold water inlet /Aquastop

**Series 4, Frontloader Washing
Machine, 9 kg, 1400 rpm
WGA244ZRZA**

Measurements in mm



measurements in mm