

Series 4, Frontloader Washing Machine, 9 kg, , Silver inox WGA144XVZA



A+++

- **EcoSilence Drive™**: extremely energy-efficient and quiet in operation with a 10-year warranty.
- **Speed Perfect**: perfectly clean in up to 65% less time
- .
- **Vario Drum**: gently and efficiently wash with even water distribution and without creasing garments.
- **Reload function**: forgot an item? Add it easily to the wash.
- **Large LED display**: Easy operation and extra functions available.

Maximum capacity in kg (EU 2017/1369): 9.0 kg
 Built-in / Free-standing: Free-standing
 Door hinge: Left
 Color / Material body: Silver inox
 Length electrical supply cord: 160.0 cm
 Height of the appliance: 845 mm
 Dimensions of the product: 845 x 597 x 588 mm
 Wheels: No
 Net weight: 69.2 kg
 Drum volume: 63 l
 Connection rating: 2300 W
 Fuse protection: 10 A
 Voltage: 220-240 V
 Frequency: 50 Hz



WMZ2200 Floor securing component
 WMZ2381 Extension for cold water inlet /Aquastop

Series 4, Frontloader Washing Machine, 9 kg, , Silver inox WGA144XVZA

- WGA144XVZA
- Ferrite-BLDC
- BLDC with warranty

Engine power/Consumption

- Capacity: 9 kg
- Energy Efficiency Class: A+++
- B spin class
- Cottons60°C+buttonEcoPerfect and Cottons40°C+buttonEcoPerfect are the standard washing programmes to which the information in the label relates. These programmes are suitable to clean normally soiled cotton laundry and are the most efficient programmes in terms of combined energy and water consumption.
- Noise level spinning:75dB (A) re 1 pW:

Programmes

Options

- PreTreatment: Works against stubborn stains.
- AntiStain: Automatic removal of the most common stains.
- VarioPerfect: time- or energy optimized programs with perfect wash performance
- Touch control buttons

Comfort and Safety

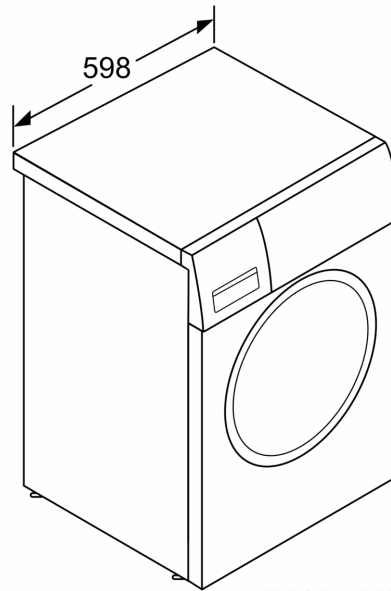
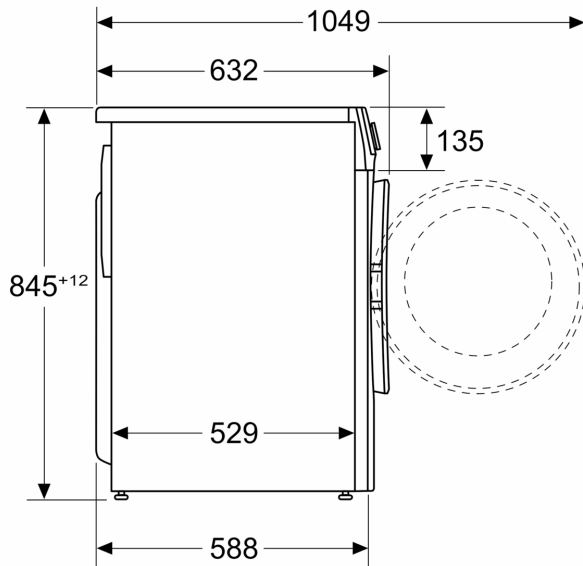
- Reload function: Be flexible in adding laundry items even after start of the wash cycle.
- waveDrum
- Multiple water protection
- Large display for programme progress indication, temperature, spin speed, remaining time, 24 h end time delay and load recommendation
- Large display for temperature, spin speed, remaining time, 24 h end time delay and load recommendation
- Fully electronic control dial for all wash- and special programs
- Recommended Load
- Loading introduction
- Foam detection system
- Safeguard monitoring system adjusts load distribution
- easy clean
- Overdosage Indication
- Child Lock
- Buzzer
- Metal door catch
- magnet with pull-open latch

General Information

- Dimensions (H x W x D): 84.5 x 59.7 x 58.8 cm
- Slide-Under

**Series 4, Frontloader Washing
Machine, 9 kg, , Silver inox
WGA144XVZA**

Measurements in mm



measurements in mm