

**Series 4, Frontloader Washing Machine, 9 kg, , Silver inox WGA1440XZA**



**A+++**



**Stain expert washing machine with innovative Presoaking and AntiStain system: Automatic removal of stubborn stains even for delicate textiles.**

- **EcoSilence Drive™**: extremely energy-efficient and quiet in operation with a 10-year warranty.
- **Anti Stain Plus**: removes up to 16 kinds of stubborn stains without pre-treatment.
- **With Iron Steam Assist, wrinkles on your laundry are reduced by up to 50%.**
- **Super Quick 30 is a convenient method of freshening up light-soiled laundry in 30 minutes**
- **Active Water Plus: For highly efficient use of water even with smaller loads thanks to automatic load detection.**

Maximum capacity in kg (EU 2017/1369): ..... 9.0 kg  
 Built-in / Free-standing: ..... Free-standing  
 Door hinge: ..... Left  
 Color / Material body: ..... Silver inox  
 Length electrical supply cord: ..... 160.0 cm  
 Height of the appliance: ..... 845 mm  
 Dimensions of the product: ..... 845 x 597 x 588 mm  
 Wheels: ..... No  
 Net weight: ..... 69.2 kg  
 Drum volume: ..... 65 l  
 Connection rating: ..... 2300 W  
 Fuse protection: ..... 10 A  
 Voltage: ..... 220-240 V  
 Frequency: ..... 50 Hz



WMZ2200 Floor securing component  
 WMZ2381 Extension for cold water inlet /Aquastop

## Series 4, Frontloader Washing Machine, 9 kg, , Silver inox WGA1440XZA

**Stain expert washing machine with innovative Presoaking and AntiStain system: Automatic removal of stubborn stains even for delicate textiles.**

- Ferrite-BLDC
- BLDC with warranty

### Engine power/Consumption

- Capacity: 9 kg
- Energy Efficiency Class: A+++
- Energy consumption :152 kWh per year, based on 220 standard washing cycles
- Energy consumption:standard 60 °C cotton programme 1.07 kWh full load and 0.39 kWh partial load and 40 °C cotton programme 0.39 kWh partial load
- Weighted power consumption off-mode / left-on mode: 0.12 W / 0.4 W
- Water consumption 10340 litres per year, based on 220 standard washing cycles
- B spin class
- Maximum spin speed: 1400rpm
- Remaining moisture:50 %
- Programme time:60 °C cotton programme 220 min at full load 180 min at partial load and 40 °C cotton programme 180 min partial load
- Programme time:60 °C cotton programme 220 min at full load 180 min at partial load and 40 °C cotton programme 180 min partial load
- Noise level spinning:73dB (A) re 1 pW:

### Programmes

#### Options

- PreTreatment: Works against stubborn stains.
- AntiStain: Automatic removal of the most common stains.
- VarioPerfect: time- or energy optimized programs with perfect wash performance
- Touch control buttons

#### Comfort and Safety

- Reload function: Be flexible in adding laundry items even after start of the wash cycle.
- waveDrum
- Multiple water protection
- Large display for programme progress indication, temperature, spin speed, remaining time, 24 h end time delay and load recommendation
- Large display for temperature, spin speed, remaining time, 24 h end time delay and load recommendation
- Fully electronic control dial for all wash- and special programs
- AntiVibration Design: more stability and quietness
- 3D AquaSpa wash system with cascade for faster water penetration
- Recommended Load
- Loading introduction

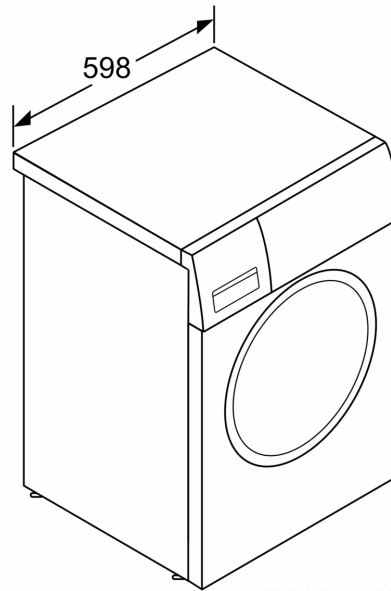
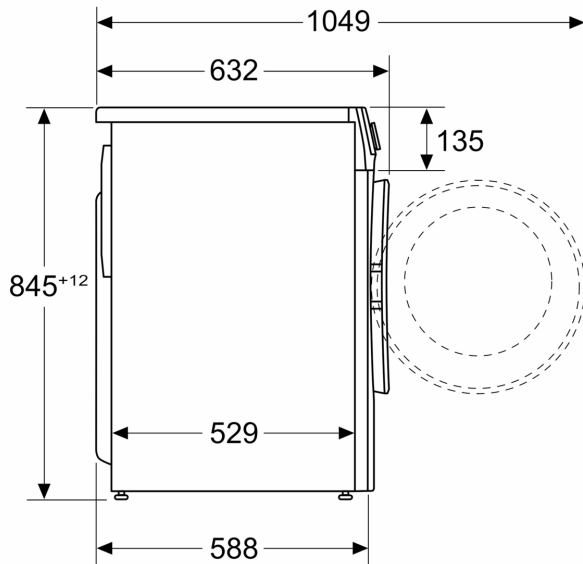
- Foam detection system
- Safeguard monitoring system adjusts load distribution
- easy clean
- Overdosage Indication
- Child Lock
- Buzzer
- Metal door catch
- magnet with pull-open latch

#### General Information

- Dimensions (H x W x D): 84.5 x 59.7 x 58.8 cm
- Slide-Under
- Appliance depth incl. door: 63.2 cm
- Appliance depth with open door: 104.9 cm
- Appliance depth: 58.8 cm

**Series 4, Frontloader Washing  
Machine, 9 kg, , Silver inox  
WGA1440XZA**

Measurements in mm



measurements in mm