

## iQ700, Frontloader Washing Machine, 10 kg, 1600 rpm WG56B2A0ZA



**A+++**



The intelligent Washer is 20% more energy efficient than label A, with stainRemoval System, SpeedPack XL and i-Dos.

- ✓ smartFinish – Smooth away creases and cut down on ironing.
- ✓ Efficient, quiet, and durable with guarantee - iQdrive with 10 year guarantee
- ✓ waterPerfect Plus: for efficient use of water even with small loads thanks to intelligent sensor technology.
- ✓ i-Dos: Automatically doses the precise amount of detergent and water.
- ✓ speedPack XL – Speed up programmes, set the duration or wash in just 15 minutes.

Maximum capacity in kg (EU 2017/1369): ..... 10.0 kg  
 Design: ..... Free-standing  
 Door opening: ..... Left  
 Color / Material body: ..... White  
 Length electrical supply cord: ..... 160.0 cm  
 Height of the appliance: ..... 845 mm  
 Dimensions of the product: ..... 845 x 598 x 590 mm  
 Wheels: ..... No  
 Net weight: ..... 84.0 kg  
 Drum volume: ..... 70 l  
 Connection rating: ..... 2300 W  
 Fuse protection: ..... 10 A  
 Voltage: ..... 220-240 V  
 Frequency: ..... 50 Hz



4 242003 938263

WX975600 Floor securing component  
 WZ10131 Extension for cold water inlet /Aquastop  
 WZWP20W Platform with pull-out, washer, cubic

## iQ700, Frontloader Washing Machine, 10 kg, 1600 rpm WG56B2A0ZA

- WG56B2A0ZA

### Engine power/Consumption

- Energy Efficiency Class: A+++
- A -20%: 20% more efficient than the limit value of Energy Efficiency Class A\*\*\*\*
- Load capacity: 1 - 10 kg
- Spin power / spin speed\*\*\*: 400 - 1600 U/min

### Programmes

- Standard programmes: cottons, easy care, delicates, wool hand wash
- smartFinish: Steam programme that reduces wrinkles on dry clothes
- Special programmes: App, Automatic, Easy Ironing Steam Assisted, Hygiene, Spin / Drain, PowerWash 59, quick wash/mixture, Single Rinse, Super 15 min / Super 30 min
- programmes via app: Curtains, Shirts, Jeans/dark laundry, Duvet

### Options

- Home Connect: Remote Monitoring and Control, Energy Management, Remote Diagnostics, further programmes via download. Always keep your appliance up to date via firmware update.
- i-Dos: automatic dosing of liquid detergent and softener
- Stain automatic - 6 stains at the touch of a button, 10 further stains via Home Connect
- Touch control buttons: basic setup, On/off, Ready in, stain selection, i-DOS 2.0 1, i-DOS 2.0 2, child lock, Memory, more options, Night Wash / Silent Wash, extra rinse, Remote Start, Start / Reload / Pause, Temperature Selection, varioSpeed / SpeedPerfect, Prewash, Spin speed reduction/Rinse Hold

### Comfort and Safety

- Reload Function: Stop the already running washing machine to add any forgotten items of laundry to the drum.
- directTouch Plus: elegantly designed inclined panel for intuitive control
- powerSpeed system: better washing results in less time
- Mini load: Wash single items and small loads quickly and efficiently
- XXL Drum volume: 70 l
- waveDrum: for highly effective and extremely gentle laundry care
- 32 cm porthole, chrome-black with 188° opening door
- Reload function/ pause function
- Ferrite-BLDC
- BLDC with warranty
- AntiVibration
- waterPerfect Plus: for efficient use of water even with small loads thanks to intelligent sensor technology.
- Sound insulation by bottom cover
- Turbidity sensor
- hydroSafe 100% anti-leak protection guarantee
- Jog dial w mech. button
- Foam detection system
- Overdosage Indication

- Safeguard monitoring system adjusts load distribution
- Child Lock
- Buzzer
- easy clean
- Usage meter: counts completed programmes

### General Information

- Slide-Under
- Dimensions (H x W): 84.5 cm x 59.8 cm
- Appliance depth: 59.0 cm
- Appliance depth incl. door: 63.8 cm
- Appliance depth with open door: 109.0 cm

<sup>3</sup> Weighted water consumption in litres per cycle (in programme Eco 40-60)

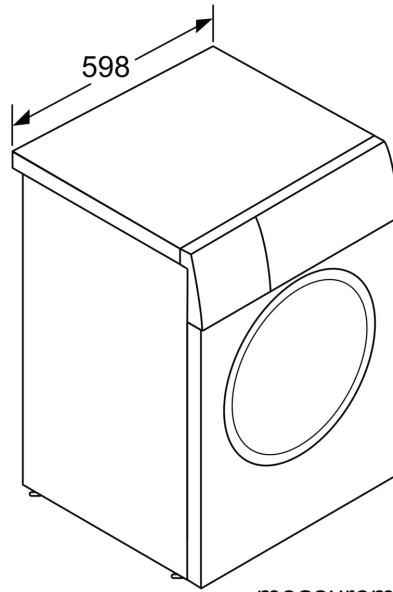
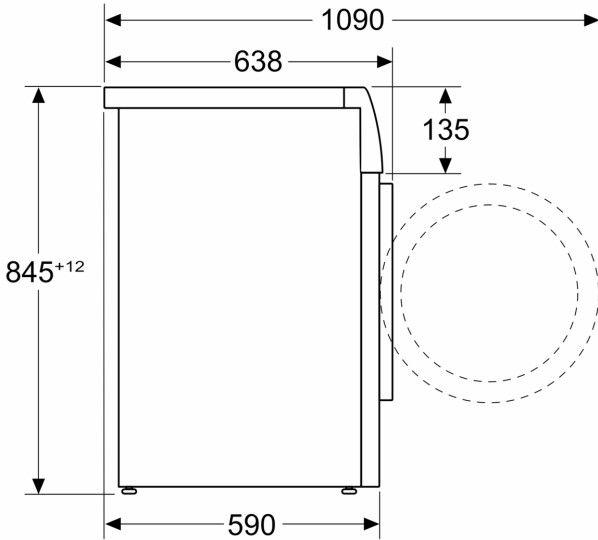
<sup>4</sup> Duration of programme Eco 40-60

\*\* Values are rounded.

metal Jog dial w mech. button

iQ700, Frontloader Washing Machine, 10 kg, 1600 rpm  
WG56B2A0ZA

Measurements in mm



measurements in mm

Measurements in mm

