

**iQ300, Frontloader Washing Machine, 10 kg, , Silver inox WG54A20XZA**



iSensonic Washing Machine, with 10kg capacity and intelligent solutions, provides you excellent results according to your individual needs.

- ✓ smartFinish – Reduce wrinkles up to 50% and cut down on ironing.
- ✓ Efficient, quiet, and durable with guarantee - iQdrive with 10 year guarantee
- ✓ speedPack L – Speed up programmes, or wash in just 15 minutes.
- ✓ Get perfectly clean laundry in up to 65% less time with varioSpeed.
- ✓ waveDrum - Highly effective and extremely gentle laundry care

Maximum capacity in kg (EU 2017/1369):	10.0 kg
Design:	Free-standing
Door opening:	Left
Color / Material body:	Silver inox
Length electrical supply cord:	160.0 cm
Height of the appliance:	845 mm
Dimensions of the product:	845x598x588 mm
Wheels:	No
Net weight:	75.0 kg
Drum volume:	70 l
Connection rating:	2300 W
Fuse protection:	10 A
Voltage:	220-240 V
Frequency:	50-60 Hz



WX975600	Floor securing component
WZ10131	Extension for cold water inlet /Aquastop

## iQ300, Frontloader Washing Machine, 10 kg, , Silver inox WG54A20XZA

- WG54A20XZA
- Ferrite-BLDC
- BLDC with warranty

### Engine power/Consumption

- Capacity: 10 kg
- Energy Efficiency Class: A+++
- Energy consumption :167 kWh per year, based on 220 standard washing cycles
- Energy consumption:standard 60 °C cotton programme 1.18 kWh full load and 0.42 kWh partial load and 40 °C cotton programme 0.42 kWh partial load
- Weighted power consumption off-mode / left-on mode: 0.1 W / 0.4 W
- Water consumption 11660 litres per year, based on 220 standard washing cycles
- B spin class
- Maximum spin speed: 1400rpm
- Remaining moisture:53 %
- Programme time:60 °C cotton programme 230 min at full load 170 min at partial load and 40 °C cotton programme 170 min partial load
- Programme time:60 °C cotton programme 230 min at full load 170 min at partial load and 40 °C cotton programme 170 min partial load
- Noise level spinning:75dB (A) re 1 pW:

### Programmes

### Options

- varioSpeed: Up to 65% reduced washing cycle
- Touch control buttons

### Comfort and Safety

- Reload Function: Stop the already running washing machine to add any forgotten items of laundry to the drum.
- waveDrum
- Multiple water protection
- Large display for programme progress indication, temperature, spin speed, remaining time, 24 h end time delay and load recommendation
- Large display for temperature, spin speed, remaining time, 24 h end time delay and load recommendation
- Fully electronic control dial for all wash- and special programs
- anti-vibration Design: more stability and quietness
- Aquatronic wash system
- Recommended Load
- Loading introduction
- Foam detection system
- Safeguard monitoring system adjusts load distribution
- easy clean
- Overdosage Indication
- Child Lock
- Buzzer

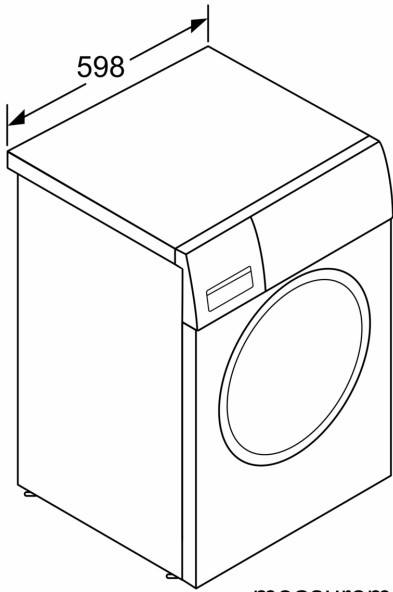
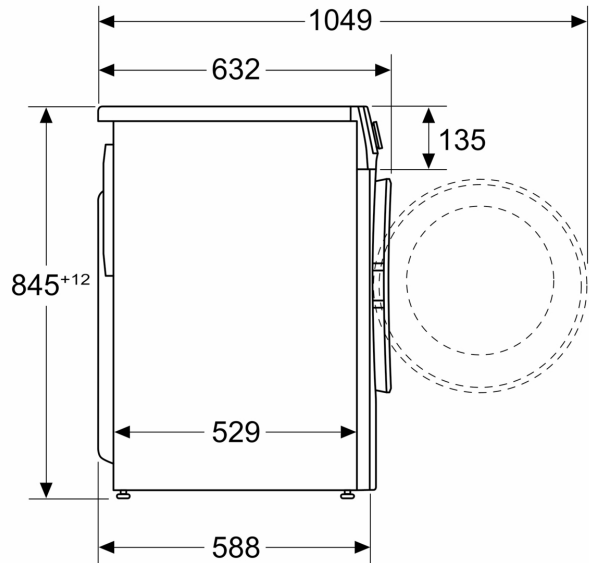
- Metal door catch
- magnet with pull-open latch

### General Information

- Dimensions (H x W x D): 84.5 x 59.8 x 58.8 cm
- Slide-Under

**iQ300, Frontloader Washing  
Machine, 10 kg, , Silver inox  
WG54A20XZA**

Measurements in mm



measurements in mm