

iQ500, Frontloader Washing Machine, 9 kg, , Silver inox WG44A2AXZA



Perfect washing results thanks to our intelligent dosing system i-DOS and AntiStain system: Reliable stain removal with the ease of automatic detergent dosing through i-DOS for the capacity of 9kg

- ✓ i-Dos: Automatically doses the precise amount of detergent and water.
- ✓ speedPack L – Speed up programmes, or wash in just 15 minutes.
- ✓ Large LED-display - The numerous options and functions always in view. Thanks to touch buttons it is easy to use.
- ✓ Efficient, quiet, and durable with guarantee - iQdrive with 10 year guarantee
- ✓ waterPerfect Plus: for efficient use of water even with small loads thanks to intelligent sensor technology.



Maximum capacity in kg (EU 2017/1369):9.0 kg
 Design: Free-standing
 Door opening:Left
 Color / Material body: Silver inox
 Length electrical supply cord: 160.0 cm
 Height of the appliance: 848 mm
 Dimensions of the product: 848 x 598 x 588 mm
 Wheels: No
 Net weight: 72.0 kg
 Drum volume: 65 l
 Connection rating: 2300 W
 Fuse protection: 10 A
 Voltage: 220-240 V
 Frequency: 50 Hz



WX975600 Floor securing component
 WZ10131 Extension for cold water inlet /Aquastop

iQ500, Frontloader Washing Machine, 9 kg, , Silver inox WG44A2AXZA

- WG44A2AXZA
- Ferrite-BLDC
- BLDC with warranty

Engine power/Consumption

- Capacity: 9 kg
- Energy Efficiency Class: A+++
- Energy consumption :152 kWh per year, based on 220 standard washing cycles
- Energy consumption:standard 60 °C cotton programme 1.07 kWh full load and 0.39 kWh partial load and 40 °C cotton programme 0.39 kWh partial load
- Weighted power consumption off-mode / left-on mode: 0.12 W / 0.4 W
- Water consumption 10340 litres per year, based on 220 standard washing cycles
- B spin class
- Maximum spin speed: 1400rpm
- Remaining moisture:50 %
- Programme time:60 °C cotton programme 220 min at full load 180 min at partial load and 40 °C cotton programme 180 min partial load
- Programme time:60 °C cotton programme 220 min at full load 180 min at partial load and 40 °C cotton programme 180 min partial load
- Noise level spinning:73dB (A) re 1 pW:

Programmes

Options

- PreTreatment: Works against stubborn stains.
- AntiStain: Automatic removal of the most common stains.
- VarioPerfect: time- or energy optimized programs with perfect wash performance
- Touch control buttons

Comfort and Safety

- Reload function: Be flexible in adding laundry items even after start of the wash cycle.
- waveDrum
- Multiple water protection
- Large display for programme progress indication, temperature, spin speed, remaining time, 24 h end time delay and load recommendation
- Large display for temperature, spin speed, remaining time, 24 h end time delay and load recommendation
- Fully electronic control dial for all wash- and special programs
- AntiVibration Design: more stability and quietness
- Aquatronic wash system
- Recommended Load
- Loading introduction
- Foam detection system
- Safeguard monitoring system adjusts load distribution
- Overdosage Indication
- Child Lock

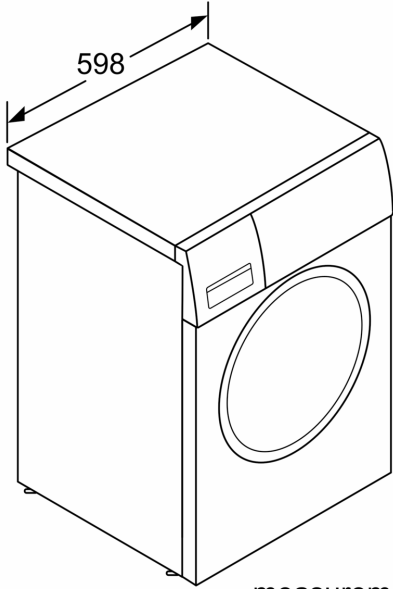
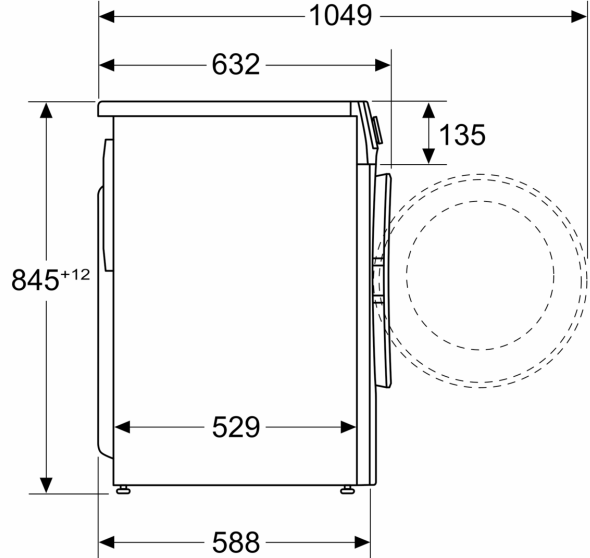
- Buzzer
- Metal door catch
- magnet with pull-open latch

General Information

- Dimensions (H x W x D): 84.8 x 59.8 x 58.8 cm
- Slide-Under
- Appliance depth incl. door: 63.2 cm
- Appliance depth with open door: 104.9 cm
- Appliance depth: 58.8 cm

**iQ500, Frontloader Washing
Machine, 9 kg, , Silver inox
WG44A2AXZA**

Measurements in mm



measurements in mm