

**iQ300, Frontloader Washing Machine, 9 kg, , Silver inox WG44A1XVZA**



- ✓ stainRemoval option for removing the most stubborn 4 stains like oil, tea, blood and cosmetics.
- ✓ Efficient, quiet, and durable with guarantee - iQdrive with 10 year guarantee
- ✓ waveDrum - Highly effective and extremely gentle laundry care
- ✓ Large LED-display - The numerous options and functions always in view. Thanks to touch buttons it is easy to use.

Maximum capacity in kg (EU 2017/1369): .....	9.0 kg
Design: .....	Free-standing
Door opening: .....	Left
Color / Material body: .....	Silver inox
Length electrical supply cord: .....	160.0 cm
Height of the appliance: .....	845 mm
Dimensions of the product: .....	845 x 597 x 588 mm
Wheels: .....	No
Net weight: .....	70.7 kg
Drum volume: .....	63 l
Connection rating: .....	2300 W
Fuse protection: .....	10 A
Voltage: .....	220-240 V
Frequency: .....	50 Hz



WMZ2200	Floor securing component
WMZ2381	Extension for cold water inlet /Aquastop

## iQ300, Frontloader Washing Machine, 9 kg, , Silver inox WG44A1XVZA

- WG44A1XVZA
- Ferrite-BLDC
- BLDC with warranty

### Engine power/Consumption

- Capacity: 9 kg
- Energy Efficiency Class: A+++
- Energy consumption :174 kWh per year, based on 220 standard washing cycles
- Energy consumption:standard 60 °C cotton programme 1.04 kWh full load and 0.6 kWh partial load and 40 °C cotton programme 0.56 kWh partial load
- Weighted power consumption off-mode / left-on mode: 0.12 W / 0.5 W
- Water consumption 11660 litres per year, based on 220 standard washing cycles
- B spin class
- Maximum spin speed: 1400rpm
- Remaining moisture:53 %
- Cottons60°C+buttonEcoPerfect and Cottons40°C+buttonEcoPerfect are the standard washing programmes to which the information in the label relates. These programmes are suitable to clean normally soiled cotton laundry and are the most efficient programmes in terms of combined energy and water consumption.
- Programme time:60 °C cotton programme 285 min at full load 285 min at partial load and 40 °C cotton programme 285 min partial load
- Programme time:60 °C cotton programme 285 min at full load 285 min at partial load and 40 °C cotton programme 285 min partial load
- Noise level spinning:75dB (A) re 1 pW:

### Programmes

#### Options

- varioSpeed: Up to 65% reduced washing cycle
- Touch control buttons

#### Comfort and Safety

- Reload Function: Stop the already running washing machine to add any forgotten items of laundry to the drum.
- waveDrum
- Multiple water protection
- Large display for temperature, spin speed, remaining time, 24 h end time delay and load recommendation
- Fully electronic control dial for all wash- and special programs
- anti-vibration Design: more stability and quietness
- Recommended Load
- Loading introduction
- Foam detection system
- Safeguard monitoring system adjusts load distribution
- easy clean
- Overdosage Indication
- Child Lock
- Buzzer

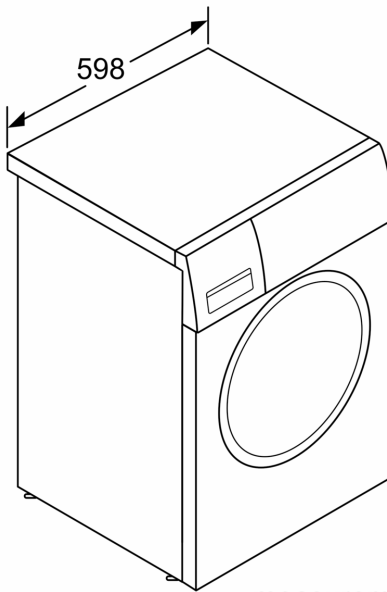
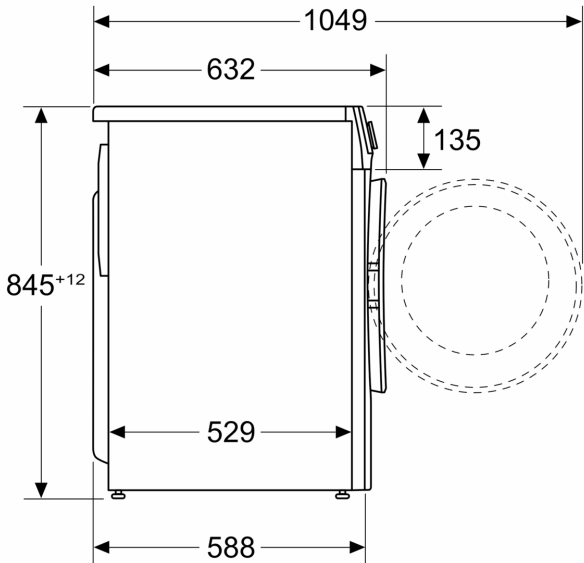
- Metal door catch
- magnet with pull-open latch

### General Information

- Dimensions (H x W x D): 84.5 x 59.7 x 58.8 cm
- Slide-Under

**iQ300, Frontloader Washing  
Machine, 9 kg, , Silver inox  
WG44A1XVZA**

Measurements in mm



measurements in mm