

iQ300, Frontloader Washing Machine, 9 kg, , Silver inox WG44A10XZA



A+++

iSensonic Washing Machine with stainRemoval option for highly effective and efficient laundry care: With fully automated stainRemoval, stains don't stand a chance.

- ✓ smartFinish – Reduce wrinkles up to 50% and cut down on ironing.
- ✓ stainRemoval option for removing the most stubborn 4 stains like oil, tea, blood and cosmetics.
- ✓ speedPack L – Speed up programmes, or wash in just 15 minutes.
- ✓ Efficient, quiet, and durable with guarantee - iQdrive with 10 year guarantee
- ✓ waveDrum - Highly effective and extremely gentle laundry care

Maximum capacity in kg (EU 2017/1369):	9.0 kg
Design:	Free-standing
Door opening:	Left
Color / Material body:	Silver inox
Length electrical supply cord:	160.0 cm
Height of the appliance:	845 mm
Dimensions of the product:	845x597x588 mm
Wheels:	No
Net weight:	70.4 kg
Drum volume:	65 l
Connection rating:	2300 W
Fuse protection:	10 A
Voltage:	220-240 V
Frequency:	50 Hz



WX975600	Floor securing component
WZ10131	Extension for cold water inlet /Aquastop

iQ300, Frontloader Washing Machine, 9 kg, , Silver inox WG44A10XZA

- Ferrite-BLDC
- BLDC with warranty

Engine power/Consumption

- Capacity: 9 kg
- Energy Efficiency Class: A+++
- Energy consumption :152 kWh per year, based on 220 standard washing cycles
- Energy consumption:standard 60 °C cotton programme 1.07 kWh full load and 0.39 kWh partial load and 40 °C cotton programme 0.39 kWh partial load
- Weighted power consumption off-mode / left-on mode: 0.12 W / 0.4 W
- Water consumption 10340 litres per year, based on 220 standard washing cycles
- B spin class
- Maximum spin speed: 1400rpm
- Remaining moisture:50 %
- Programme time:60 °C cotton programme 220 min at full load 180 min at partial load and 40 °C cotton programme 180 min partial load
- Programme time:60 °C cotton programme 220 min at full load 180 min at partial load and 40 °C cotton programme 180 min partial load
- Noise level spinning:73dB (A) re 1 pW:

Programmes

Options

- stainRemoval removes various kinds of
- stains easily at the push of a button.
- varioSpeed: Up to 65% reduced washing cycle
- Touch control buttons

Comfort and Safety

- Reload Function: Stop the already running washing machine to add any forgotten items of laundry to the drum.
- waveDrum
- Multiple water protection
- Large display for programme progress indication, temperature, spin speed, remaining time, 24 h end time delay and load recommendation
- Large display for temperature, spin speed, remaining time, 24 h end time delay and load recommendation
- Fully electronic control dial for all wash- and special programs
- AntiVibration Design: more stability and quietness
- anti-vibration Design: more stability and quietness
- Aquatronic wash system
- Recommended Load
- Loading introduction
- Foam detection system
- Safeguard monitoring system adjusts load distribution
- easy clean
- Overdosage Indication

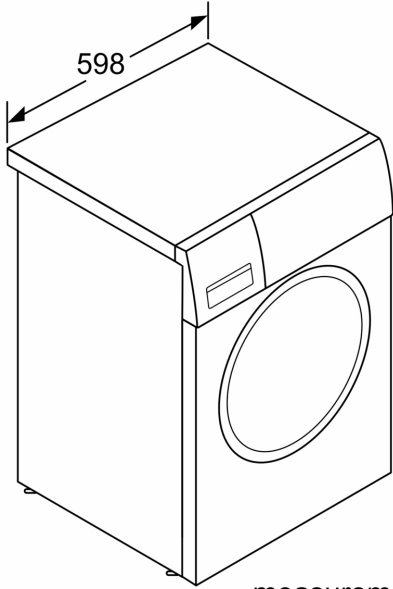
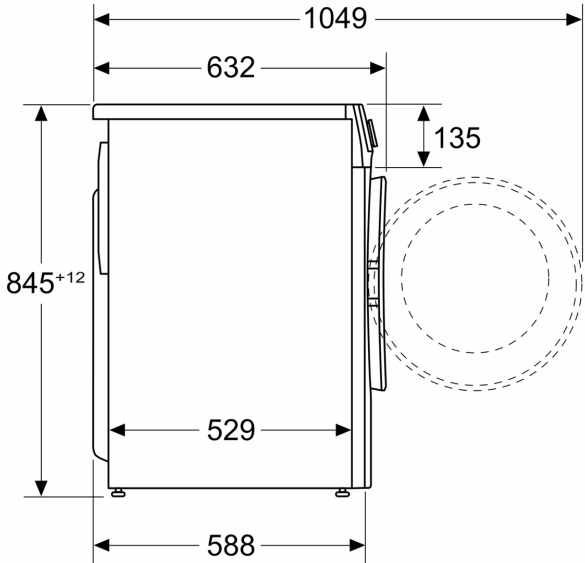
- Child Lock
- Buzzer
- Metal door catch
- magnet with pull-open latch

General Information

- Dimensions (H x W x D): 84.5 x 59.7 x 58.8 cm
- Slide-Under
- Appliance depth incl. door: 63.2 cm
- Appliance depth with open door: 104.9 cm
- Appliance depth: 58.8 cm

**iQ300, Frontloader Washing
Machine, 9 kg, , Silver inox
WG44A10XZA**

Measurements in mm



measurements in mm