

Series 6, Frontloader Washing Machine, 9 kg, , Silver inox WAT28S4SZA



The washing machine with EcoSilence Drive™: enjoy supremely quiet operation and excellent durability.

- **i-DOS:** automatically measures the precise amount of detergent and water needed.
- **Active Water Plus:** For highly efficient use of water even with smaller loads thanks to automatic load detection.
- **EcoSilence Drive™:** extremely energy-efficient and quiet in operation with a 10-year warranty.
- **Speed Perfect:** perfectly clean in up to 65% less time
- .
- **Never miss an item again, with Reload.**

Maximum capacity in kg (EU 2017/1369):	9.0 kg
Built-in / Free-standing:	Free-standing
Door hinge:	Left
Color / Material body:	Silver inox
Length electrical supply cord:	160.0 cm
Height of the appliance:	848 mm
Dimensions of the product:	848 x 598 x 590 mm
Wheels:	No
Net weight:	71.2 kg
Drum volume:	63 l
Connection rating:	2300 W
Fuse protection:	10 A
Voltage:	220-240 V
Frequency:	50 Hz



WMZ2200 Floor securing component
 WMZ2381 Extension for cold water inlet /Aquastop

Series 6, Frontloader Washing Machine, 9 kg, , Silver inox WAT28S4SZA

**The washing machine with EcoSilence
Drive™: enjoy supremely quiet operation
and excellent durability.**

Engine power/Consumption

- Capacity: 9 kg
- Energy Efficiency Class: A+++
- -30% more economical (152kWh/year) than the standard value (217 kWh/year) of energy efficiency class A+++ in category 9 kg according to the EU-order 1061/2010

Programmes

- Special programmes: Single Rinse, Easy Care Dark, quick wash/mixture, Spin / Drain, Automatic, AllergyPlus / Hygiene, Super 15 min / Super 30 min, Duvet, wool, delicates/silk

Options

- VarioPerfect: time- or energy optimized programs with perfect wash performance
- Touch control buttons

Comfort and Safety

- Reload function: Be flexible in adding laundry items even after start of the wash cycle.
- Drum volume: 63 l
- VarioDrum: gentle and efficient washing
- 32 cm porthole, silver-black grey with 171° opening door
- Metal door catch
- BLDC with warranty
- AntiVibration
- Flow-through sensor
- ActiveWater: water management system
- Multiple water protection
- 3D AquaSpa wash system with cascade for faster water penetration
- Recommended Load
- Fully electronic control dial for wash programmes, temperature and special programmes
- Large LED-Display for programme status indication, temperature selection, max. spin speed, remaining time and 24 h end time delay, load recommendation and consumption indication
- Overdosage Indication
- Foam detection system
- Safeguard monitoring system adjusts load distribution
- Child Lock
- Buzzer to indicate the end of cycle

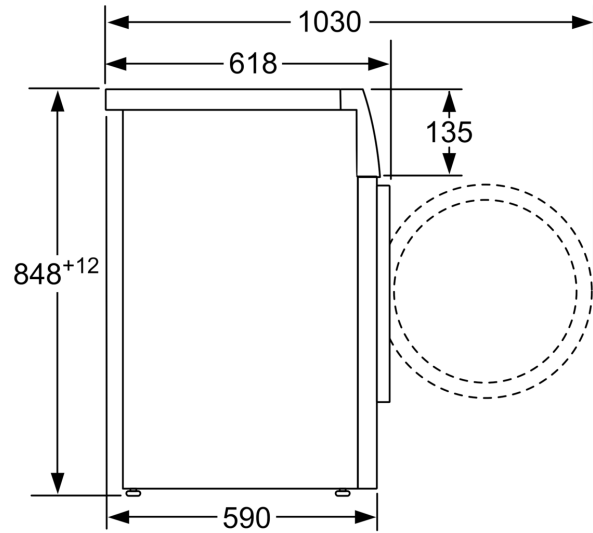
General Information

- Dimensions (H x W x D): 84.8 x 59.8 x 59 cm

**Series 6, Frontloader Washing
Machine, 9 kg, , Silver inox
WAT28S4SZA**



measurements in mm



measurements in mm