

Serie | 6, Frontloader Washing Machine, 9 kg, Inox-easyclean WAT2856XZA



A+++

Our high performer. Reliable stain removal with ease and without pre treatment – never been so comfortable.

- **AntiStain:** detects and removes the 4 most common stains.
- **VarioDrum:** especially gentle and efficient washing thanks to a unique drum structure.
- **Noise Level 49dB/75dB:** washes and spins especially quiet.
- Easy operation with DirectSelect-Display and illuminated control dial with integrated On/Off mode for simple, direct programme selection.
- **EcoSilence Drive™:** extremely energy-efficient and quiet in operation with an especially long life.

Technical data

Built-in / Free-standing :	Free-standing
Door hinge :	Left
Color / Material body :	Inox-easyclean
Length electrical supply cord (cm) :	160
Height for building under :	848.00
Height of the product (mm) :	848
Dimensions of the product (mm) :	848 x 598 x 590
Wheels :	No
Net weight (kg) :	70.252
Drum volume (l) :	63
Main colour of product :	Inox-easyclean
Door Frame :	chrome, blackgray
Color Dial :	chrome
Noise level washing (dB(A) re 1 pW) :	49
Connection Rating (W) :	2300
Current (A) :	10
Voltage (V) :	220-240
Frequency (Hz) :	50
Cord Included :	No
Plug type :	South Africa plug
Length of drain hose (in) :	59.05
Length of supply hose (in) :	59.05
Appliance Dimensions (h x w x d) (inches) :	x x
Dimensions of the packed product (in) :	34.01 x 25.23 x 26.92
Net weight (lbs) :	155
Gross weight (lbs) :	157
Length of drain hose :	150.00
Length of supply hose :	150.00
Dimensions of the packed product (HxWxD) (mm) :	864 x 684 x 641
Gross weight (kg) :	71.3
Connection Rating (W) :	2300
Current (A) :	10
Voltage (V) :	220-240
Frequency (Hz) :	50
Approval certificates :	CE, VDE
Water protection system :	Multiple water protection
Number of Options :	13
Spin speed options :	Variable
Digital countdown indicator :	Yes



Serie | 6, Frontloader Washing Machine, 9 kg, Inox-easyclean WAT2856XZA

Our high performer. Reliable stain removal with ease and without pre treatment – never been so comfortable.

- EcoSilence Drive
- A+++

Engine power/Consumption

- Capacity: 9 kg
- Energy Efficiency Class: A+++ --30%
- -30% more economical (152kWh/year) than the standard value (217 kWh/year) of energy efficiency class A+++ in category 9 kg according to the EU-order 1061/2010
- Energy consumption :152 kWh per year, based on 220 standard washing cycles

Programmes

- Special programmes: down, dark laundry, shirts, Sports Wear, quick wash/mixture, AllergyPlus / Hygiene, Super 15 min / Super 30 min, wool, delicates/silk

Options

- The autoStain Removal System (ASR) with 4 stain options - activatable with standard programmes
- VarioPerfect: time- or energy optimized programs with perfect wash performance
- Touch control buttons: Prewash, Reduced Ironing, Spin Speed Reduction, Start Delay, Temperature Selection, SpeedPerfect, EcoPerfect, Start / Reload / Pause, stain selection, rinse hold, Memory und 24 h Start Delay

Comfort and Safety

- Reload function: Be flexible in adding laundry items even after start of the wash cycle.
- XXL Drum volume: 63 l
- VarioDrum: gentle and efficient washing
- DrumClean with reminder function
- 32 cm porthole, chrome, blackgrey with 171° opening door
- BLDC
- AntiVibration
- Flow-through sensor
- ActiveWater: water management system
- Multiple water protection
- Continuous automatic load adjustment system
- Consumption Indication: Information about energy and water consumption
- Large touch-LED-display for programme status indication, temperature selection, max. spin speed, remaining time and

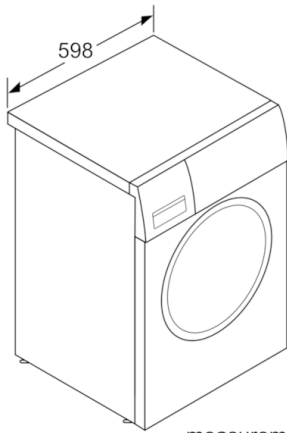
24 h end time delay, load recommendation and consumption indication

- Foam detection system
- Child Lock
- Divider for Liquid Detergent

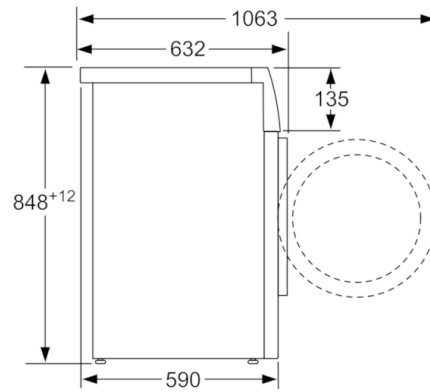
General Information

- slide-under
- Dimensions (H x W x D): 84.8 x 59.8 x 59 cm

**Serie | 6, Frontloader Washing Machine, 9
kg, Inox-easyclean
WAT2856XZA**



measurements in mm



measurements in mm