

Series 6, Frontloader Washing Machine, 10 kg, , Silver inox WAL28PHVZA



A+++



- **ActiveOxygen™**: washes gently and effectively removes odours even at lower washing temperatures.
- **Home Connect with Easy Start function recommends the right program to you - directly from your mobile device.**
- **Home Connect with push notifications that can be sent from your appliance directly to your mobile device**
- **With Home Connect you can now monitor and control your device remotely**

Energy Efficiency Class (Regulation (EU) 2017/1369): C
 Weighted energy consumption in kWh per 100 washing cycles of eco 40-60 programme (EU 2017/1369): 67 kWh
 Maximum capacity in kg (EU 2017/1369): 10.0 kg
 The water consumption of the eco programme in liters per cycle (EU 2017/1369): 47 l
 Duration of eco 40-60 programme in hours and mins at rated capacity (EU 2017/1369): 3:50 h
 Spin-drying efficiency class of eco 40-60 programme (EU 2017/1369): B
 Airborne acoustical noise emission class (EU 2017/1369): B
 Airborne acoustical noise emissions : 73 dB(A) re 1 pW
 Built-in / Free-standing: Free-standing
 Door hinge: Left
 Color / Material body: Silver inox
 Length electrical supply cord: 160.0 cm
 Height of the appliance: 848 mm
 Dimensions of the product: 848 x 598 x 590 mm
 Wheels: No
 Net weight: 76.4 kg
 Drum volume: 68 l
 Connection rating: 2300 W
 Fuse protection: 10 A
 Voltage: 220-240 V
 Frequency: 50 Hz

WMZ2200 Floor securing component
 WMZ2381 Extension for cold water inlet /Aquastop



Series 6, Frontloader Washing Machine, 10 kg, , Silver inox WAL28PHVZA

- Slide-Under
- Dimensions (H x W x D): 84.8 x 59.8 x 59 cm
- EcoSilence Drive

- WAL28PHVZA

Engine power/Consumption

- Capacity: 10 kg
- Energy consumption :190 kWh per year, based on 220 standard washing cycles
- Energy consumption:standard 60 °C cotton programme 1.2 kWh full load and 0.6 kWh partial load and 40 °C cotton programme 0.6 kWh partial load
- Weighted power consumption off-mode / left-on mode: 0.1 W / 0.1 W
- Water consumption 12100 litres per year, based on 220 standard washing cycles
- B spin class
- Maximum spin speed: 1400rpm
- Remaining moisture:53 %
- Programme time:60 °C cotton programme 310 min at full load 290 min at partial load and 40 °C cotton programme 290 min partial load
- Duration of the left-on mode: 5 min
- Programme time:60 °C cotton programme 310 min at full load 290 min at partial load and 40 °C cotton programme 290 min partial load
- Noise level spinning:73dB (A) re 1 pW:

Programmes

Options

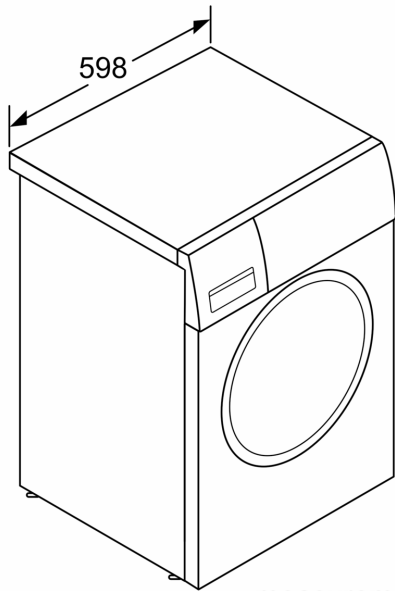
- VarioPerfect: time- or energy optimized programs with perfect wash performance
- Touch control buttons: Prewash, Reduced Ironing, Spin Speed Reduction, Start Delay, Temperature Selection, SpeedPerfect, Start / Reload / Pause, soaking, rinse hold, Memory und 24 h Start Delay

Comfort and Safety

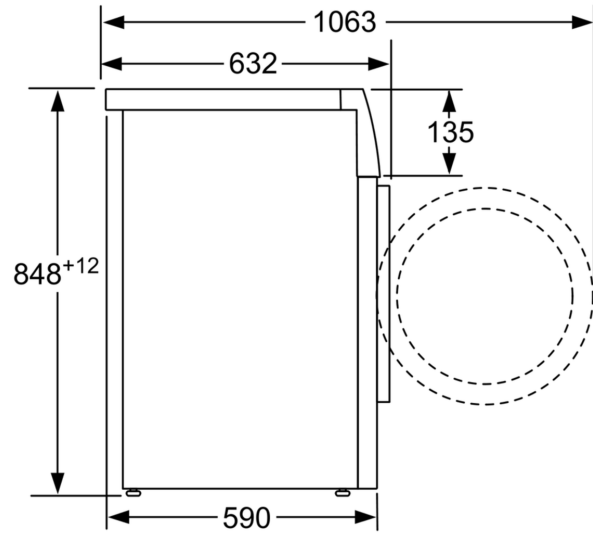
- Safeguard monitoring system adjusts load distribution
- XXL Drum volume: 68 l
- VarioDrum: gentle and efficient washing
- DrumClean with reminder function
- 32 cm porthole, Silver-inox, black-grey with 171° opening door
- magnet with pull-open latch
- Reload function/ pause function
- Ferrite-BLDC
- BLDC with warranty
- AntiVibration
- Sound insulation by bottom cover
- Flow-through sensor
- ActiveWater: water management system
- Multiple water protection
- Recommended Load
- Consumption Indication: Information about energy and water consumption
- Jog dial w mech. button
- Large touch-LED-display for programme status indication, temperature selection, max. spin speed, remaining time and 24 h end time delay, load recommendation and consumption indication
- Foam detection system
- Child Lock
- easy clean
- Divider for Liquid Detergent

General Information

**Series 6, Frontloader Washing
Machine, 10 kg, , Silver inox
WAL28PHVZA**



measurements in mm



measurements in mm