



VG264120F

VV200010:

Connecting strip series 200 ss

VV200020:

Connecting strip series 200 black

Vario gas cooktop 200 series
60 cm, Liquidgas G30,31 28-30/37 mbar
VG264120F

Can be combined with the cooktops of the Vario 200 series to a harmonic unity

Control panel for comfortable and secure operation

Mechanical power level regulation for 9 power levels, with exact setting and reproduction of flame size

Solid smooth-surface cast pan supports for easy and safe positioning of cookware
Up to 9.8 KW on 4 burners

Cooking zones

Handling

Control knobs with illuminated ring.

Integrated control panel.

One-handed operation.

Electric ignition.

Features

Two-part cast iron pan support with continuous pot surface.

Enamelled burner cover.

Safety

Thermoelectric safety pilot.

Residual heat indication.

Operation indicator.

Planning notes

Special nozzles for natural gas 20 mbar can be ordered as spare parts.

No intermediate shelf required.

Appliance can be snapped into the worktop from above.

A minimum lateral clearance of at least 150 mm from adjacent heat-sensitive furniture or contact surfaces must be observed or thermal insulation fitted.

With a total connected load of more than 11 kW local regulations concerning room ventilation, room size and combination of extraction or recirculation hoods must be observed.

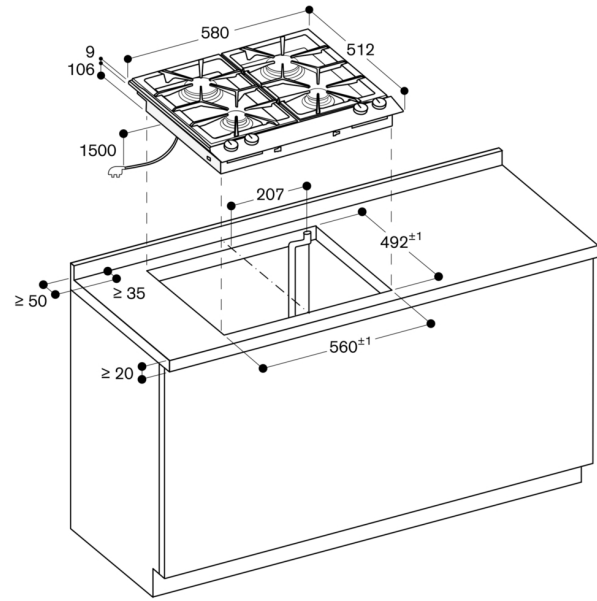
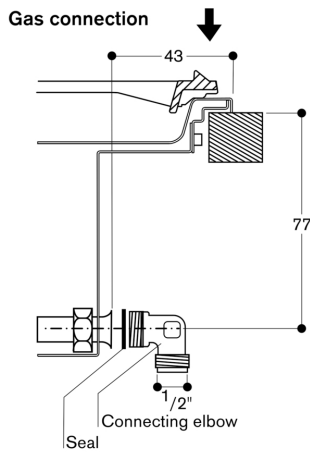
Appliance weight: approx. 15.

Connection

Total connected load gas 9.8 KW.

Total connected load electric 10.0 W.

Connecting cable 1.5 m with plug.



Minimum distance from the appliance cut-out to the side wall 150 mm.
 measurements in mm