

Series 4, Built-in Dishwasher, 60 cm SMV4HMX01Z



A+++



SGZ0BI02	decorative strips stainless steel 81,5cm
SGZ1010	inlet and outlet hose extention
SGZ8BI00	Connection rail for divided furniture
SMZ2014	Rack insert for stemware dishwasher
SMZ2056	Attachment door, stainless steel
SMZ5002	Silver polishing cassette
SMZ5003	Retractable hinge f. high corpus dimens.

Better drying performance with the connected dishwasher for smart remote control.

- **Home Connect:** home appliances with smart connectivity for an easier everyday life.
- **HygienePlus option:** Extended increased temperature cycle for hygienic cleaning.
- **SpeedPerfect+** : Reduced washing time, perfectly cleaned dishes.
- **EcoSilence Drive:** energy-saving and silent in operation with a long life span.
- **The Pre-treatment Option softens tough dirt and makes it easier to clean.**

Maximum number of place settings: 13
 The water consumption of the eco programme in liters per cycle (EU 2017/1369):9.5 l
 Built-in / Free-standing: Built-in
 Removable top: No
 Door panel options: Not possible
 Frequency: 50; 60 Hz
 Length electrical supply cord: 175.0 cm
 Plug type: South Africa plug
 Length inlet hose: 165 cm
 Length outlet hose: 190 cm
 Adjustable plinth: Both horizontal and vertical
 Height of removable worktop: 0 mm
 Height of the appliance: 815 mm
 Maximum adjustability feet: 60 mm
 Dimensions of the product (HxWxD):815 x 598 x 550 mm
 Dimensions of the packed product (HxWxD): 870 x 645 x 675 mm
 Net weight: 35.7 kg
 Gross weight: 37.5 kg
 Voltage: 220-240 V
 Connection rating: 2400 W
 Fuse protection:10 A
 Hidden heating element: Yes



Series 4, Built-in Dishwasher, 60 cm SMV4HMX01Z

Better drying performance with the connected dishwasher for smart remote control.

Performance

- Noise level (silence programme): not available(A) re 1 pW
- Connectivity: Wi-Fi ¹

Programmes / functions

- 5 programs: Eco 50 °C, Auto 45-65 °C, Intensive 70 °C, Quick L 65 °C, Delicate 40 °C
- Pre-Rinse
- 5 special options: Remote Start, BabyBottle+, Pretreatment, SpeedPerfect+, Machine Care

Key features

- Hydrosensor III
- DosageAssist detergent dispenser
- BLDC
- Auto 3-in-1 detergent detection for best rinsing and washing results
- Polinox drum
- Low friction wheels on lower rack and 3rd loading level
- Rack Stopper to prevent derailing of lower basket
- 3 stage Rackmatic height-adjustable top basket

Design

- English text on panel
- Electronic time delay: 1-24 hours

Additional features

- Aquastop anti flood device with guarantee
- Funnel

GENERAL INFORMATION

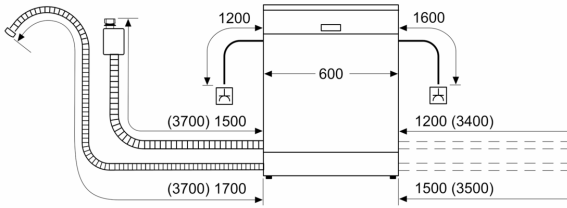
- Dimensions of the product (HxWxD): 81.5 x 59.8 x 55 cm

¹ The availability of the Home Connect functionality depends on the availability of the Home Connect Services in your country. Home Connect Services are not available in every country – for further information; please check: www.home-connect.com

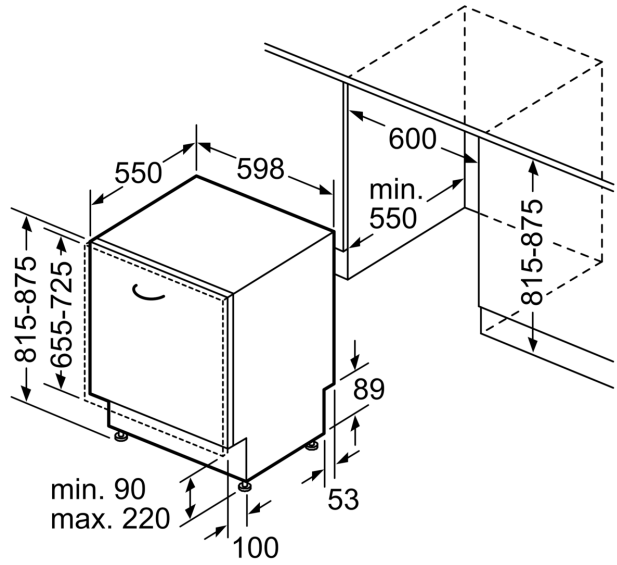
* Please find warranty terms under https://www.bosch-home.com/za/customer-service/bosch_za_warranty

Series 4, Built-in Dishwasher, 60 cm SMV4HMX01Z

measurements in mm



⚙ socket
() values with extension kit



measurements in mm