

Serie | 4, Built-in Dishwasher, 60 cm SMV46NX01B



Our ActiveWater 60 in A++: Especially good for the environment and your budget, thanks to very high energy efficiency.

- **SuperSilence:** remarkably quiet at 44 dB.
- **Glass 40°C:** protective program for gently cleaning and drying glasses.
- **VarioFlex-baskets and VarioDrawer:** enhanced re-adjusting options with more space on all levels.
- **Rackmatic:** even more adjustment options and thus maximum flexibility.
- **InfoLight:** a red infolight on the floor indicates whether the dishwasher is switched on or off.

Technical data

Cleaning performance : A
 Water consumption : 9.5 l
 Total annual energy consumption 220 days : 202 kWh
 Estimated annual consumption (220 standard cycles) water : 2090 l
 Built-in / Free-standing : Built-in
 Removable top : No
 Door panel options : Not possible
 Height of removable worktop : 0 mm
 Height of the product : 815 mm
 Adjustable feet : Yes - all from front
 Maximum adjustability feet : 60 mm
 Net weight : 35.3 kg
 Gross weight : 37.5 kg
 Connection Rating : 2400 W
 Fuse protection : 10 A
 Voltage : 220-240 V
 Frequency : 50; 60 Hz
 Length electrical supply cord : 175 cm
 Plug type : GARDY plug w/ earthing
 Length inlet hose : 165 cm
 Length outlet hose : 190 cm
 Hidden heating element : Yes
 Water protection system description : Triple water protection 24h
 Child safety devices : No
 Water softener : Yes
 Top basket type : mid
 Adjustable upper basket : Rackmatic 3-stage
 Bottom basket type : mid
 3rd Rack : 3rd Rack 1.1
 Optional accessories : SGZ1010, SMZ1051EU, SMZ2014, SMZ2056, SMZ5001, SMZ5003, SMZ5300, SMZ5006, SMZ5035
 Included accessories 2 : vapor barrier plate
 Number of place settings : 13
 Color / Material panel : Stainless steel
 Dimensions of the product (HxWxD) : 815 x 598 x 550 mm
 Dimensions of the packed product (HxWxD) : 860 x 670 x 640 mm



Serie | 4, Built-in Dishwasher, 60 cm SMV46NX01B

Our ActiveWater 60 in A++: Especially good for the environment and your budget, thanks to very high energy efficiency.

- SMV46NX01B
- 60 cm dishwasher

GENERAL INFORMATION

- Capacity: 13 place settings
- Energy Efficiency Class: A++ (on an Energy Efficiency Class scale from A+++ to D)
- Energy consumption in programme Eco 50: 262 kWh per year, based on 280 standard cleaning cycles.
- Power consumption off-mode / left-on mode: 0.1 W / 0.1 W
- Water consumption in programme Eco 50: 2660 litres per year, based on 280 standard cleaning cycles.
- Water consumption in programme Eco 50: 9.5 litres
- A rated performance for washing and A for drying
- The information relates to the programme Eco 50. This programme is suitable to clean normally soiled tableware and is the most efficient programme in terms of combined energy and water consumption.
- Programme time in programme Eco 50: 210 minutes
- Duration of the left-on mode: 0 min

Performance

- 6 programmes: Intensive 70 °C, Auto 45-65 °C, Eco 50 °C, Glass 40 °C, Quick wash 45 °C, Pre-Rinse
- 3 special options: Half Load, HygienePlus, Extra Rinse
- Machine Care
- 5 Temperatures

Key features

- ActiveWater hydraulic water system
- DosageAssist detergent dispenser
- BLDC
- Hydrosensor III, Load Sensor
- Auto 3-in-1 detergent detection for best rinsing and washing results
- Heat exchanger.
- Alternating spray arms
- Regenerative electronics
- Self-cleaning filter system with 3 piece corrugated filter

Programmes / functions

- VarioFlex basket system
- 3 stage Rackmatic height-adjustable top basket

Design

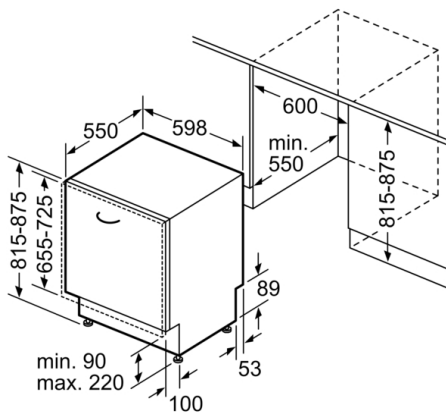
- Red LED indicators
- Electronic time delay: 1-24 hours
- LED salt refill indicator
- LED rinse aid refill indicator

Additional features

- Servo lock for effortless door closing
- Polinox drum
- Dimensions of the product (HxWxD): 81.5 x 59.8 x 55 cm

10-year guarantee: our convincing promise of quality against rusting of the inner tub.

**Serie | 4, Built-in Dishwasher, 60 cm
SMV46NX01B**



measurements in mm

