



RF461304



1 x ice cube scoop  
1 x connection set  
1 x Ice storage container  
large

RA450012:  
Water filter Vario 400

RA425110:  
Vario SS handle 1131 mm

RA460020:  
Frontpanel connection long

**Vario Built-in Freezer 400 series**  
**213.4 x 61 cm**  
**RF461304**

Stainless steel interior with solid anthracite aluminium elements

Warm white and glare-free LED light spots

Opening assist for door with two options:

1. Push-to-open function for integration into handleless furniture front
2. Pull-to-open function to facilitate opening the door using a handle

The drawers in the RC and RF models are positioned at the same height. With side-by-side installation, the glass shelves and door racks can be aligned on the same level

Material and aesthetics of interior as for RC model

- Glass shelves

- Solid anthracite aluminium door racks

Flat stainless steel inner door, full-length

Almost invisible rail system for shelves and door racks for flexible positioning

Integrated ice maker with fixed inlet water connection

TFT touch display

Net volume 328 litres

**Handling**

TFT touch display operation.

Clear text display.

**Technical Features**

Dynamic cold air distribution.

Automatic defrosting with defrost water evaporation.

Rest mode certified by Star-K.

When rest mode is active, the appliance can only be opened using a handle.

Open-door and malfunction alarm.

Home network integration for digital services (Home Connect) wireless via WiFi.

The use of the Home Connect functionality depends on the Home Connect services, which are not available in every country. For further information please check: [home-connect.com](http://home-connect.com).

**Freezing**

No-frost technology with fast freezing at -30 °C.

Temperature adjustable from -24 °C to -14 °C.

4-star freezer compartment.

Freezing capacity 18 kg/24 h.

Storage time after a malfunction 13 h.

4 safety glass shelves, white glass, 3 of which are individually height adjustable.

2 fully extendable drawers with transparent front.

Flat door rail system with fully flexible positioning of door racks.

4 height-adjustable door racks.

**Ice maker**

Integrated in the freezer compartment, with fixed water connection (inlet).

Particle filter for water inlet, integrated in ventilation grille area.

Can be switched off.

Ice cube production approx. 1.5 kg/24 h.

Removable ice storage container with approx. 4 kg capacity.

**Consumption data**

Energy efficiency class A++ at a range of energy efficiency classes from A+++ to D.

Energy consumption 284 kWh/year.

Noise level 42 dB (re 1 pW).

**Planning notes**

Flat hinge.

Door hinge left, reversible.

Door opening angle of 115°, fixable at 90°.

In case of door opening angle of 90°, the drawers have restricted access and the standard ice storage container cannot be removed. A small ice storage container (RA 448 220) is available to ensure access. This change must be done prior to fixing the door.

Max. door panel weight 41 kg.

Shut-off valve for water connection must be planned next to the appliance and always be accessible.

If the water pressure exceeds 0.8 MPa (8 bar), connect pressure relief valve between water tap and hose set.

**Connection**

Total connected load: 0.300 KW.

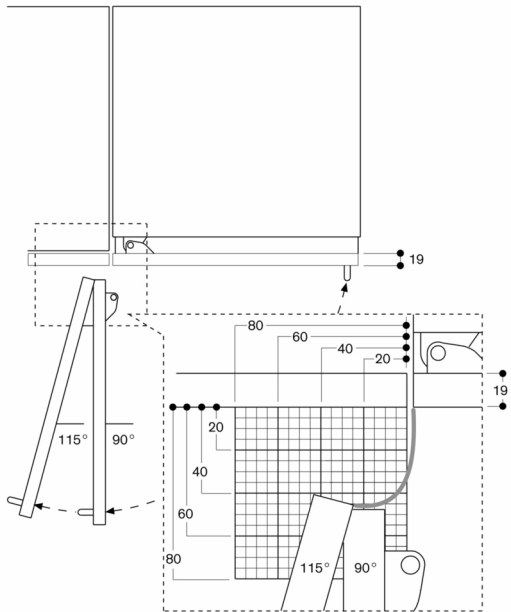
Connecting cable 3.0 m, detachable.

Water inlet.

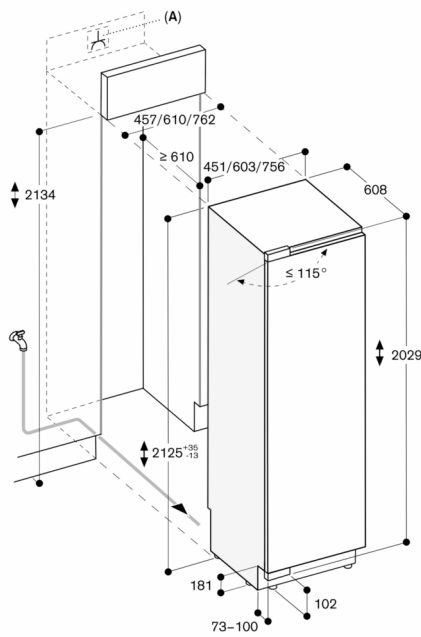
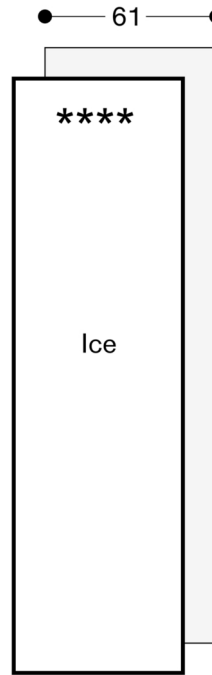
Supply hose 2.0 m with 3/4" connection.

Water pressure 2 to 8 bar.

Door opening angle



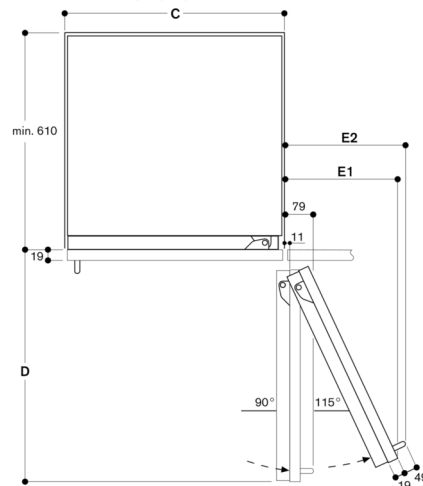
The hinge travel and resulting clearances from adjacent furniture units and handles can be found from the drawing while allowing for the thickness of the front panel. In the drawing, a furniture unit front panel thickness of 19 mm was assumed.



A: Socket  
Maximum door panel dimensions are based on a clearance of 3 mm

Measurements in mm

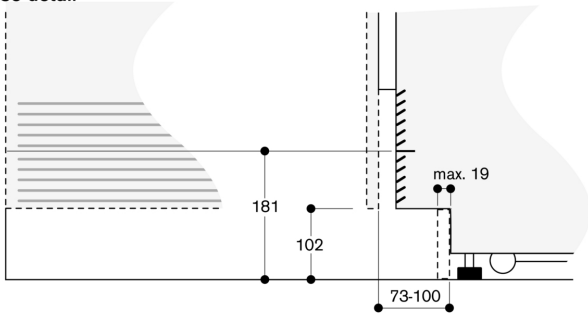
Wall clearance RB 472/RC/RF/RW



Recess width	D	E1	E2
C	525 mm	235 mm	265 mm
457 mm	677 mm	299 mm	330 mm
610 mm	830 mm	364 mm	395 mm
762 mm	980 mm	428 mm	460 mm
914 mm			

In the drawing, a unit front thickness of 19 mm and a Gaggenau unit handle of 49 mm were taken as a basis.

Base detail



Based on the standard appliance height, the height of the plinth is 102 mm. Maximum plinth thickness 19 mm.