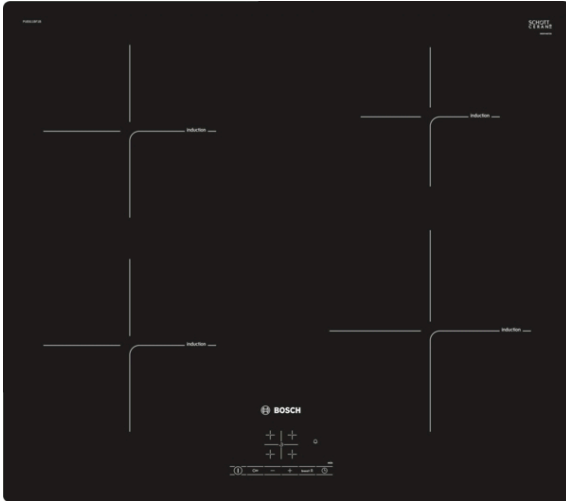


Series 4, Induction Hob, 60 cm PUE611BF1B



The induction hob: cook fast, clean and safely while using very little energy.

- **TouchSelect:** Selection of the desired cooking zone and easy setting of the desired power level.
- **PowerBoost:** Up to 50% more power for faster heating.
- Ceramics glass is much more slim and durable with better vertical conduction.

Technical data

Product name/family : Cooking zone ceramic
 Construction type : Built-in
 Energy input : Electric
 Total number of positions that can be used at the same time : 4
 Min. required niche size for installation (HxWxD) : 51 x 560-560 x 490-500 mm
 Width of the appliance : 592 mm
 Dimensions : 51 x 592 x 522 mm
 Dimensions of the packed product (HxWxD) : 126 x 753 x 603 mm
 Net weight : 10.1 kg
 Gross weight : 12.2 kg
 Residual heat indicator : Separate
 Location of control panel : Hob front
 Basic surface material : Ceramic
 Color of surface : Black
 Length electrical supply cord : 110 cm
 Sealed Burners : No
 heating with booster : All cooking zones
 Power of heating element (kW) : 1.8 kW
 Power of 3rd heating element (kW) : 1.8 kW
 Power of 5th heating element (kW) : 1.4 kW
 Power of heating element (kW in boost) : [3.0] kW
 Power of 3rd heating element (kW in boost) : [3.0] kW
 Power of 5th heating element (kW in boost) : [2.2] kW
 Connection Rating : 3700 W
 Voltage : 220-240 V
 Frequency : 50; 60 Hz
 Main colour of product : Black
 Energy input : Electric
 Plug type : GB plug
 Appliance Dimensions (h x w x d) (in) : + x x
 Dimensions of the packed product : 4.96 x 23.74 x 29.64
 Net weight : 22.000 lbs
 Gross weight : 27.000 lbs
 Total number of positions that can be used at the same time : 4
 Length electrical supply cord : 110 cm
 Min. required niche size for installation (HxWxD) : 51 x 560-560 x 490-500 mm
 Dimensions : 51 x 592 x 522 mm
 Dimensions of the packed product (HxWxD) : 126 x 753 x 603 mm
 Net weight : 10.1 kg
 Gross weight : 12.2 kg



Series 4, Induction Hob, 60 cm PUE611BF1B

The induction hob: cook fast, clean and safely while using very little energy.

Design:

- Frameless design

Comfort and Safety:

- 4 induction zone hob
- TouchControl +/- (EasyTouch)
- Electronic power level display
- Timer with automatic shut off for all zones
Buzzer
- Automatic pan recognition
Power management function
Automatic safety switch-off
Safety lock
- Connected load: 3.7 KW

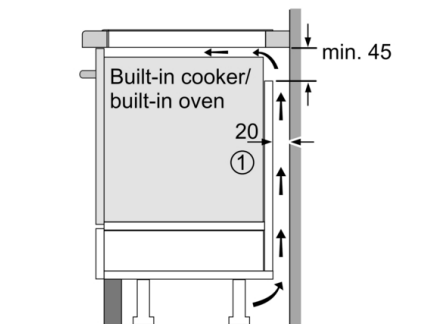
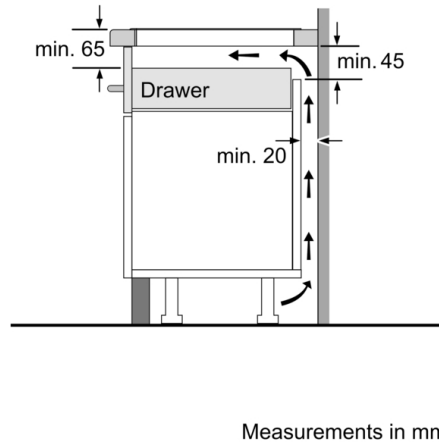
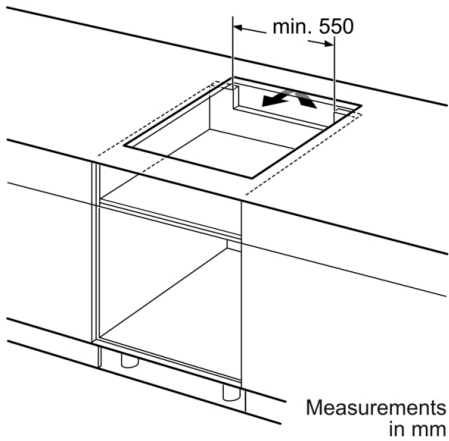
Power and size:

- Variable 17-stage power settings for each zone
- Min. worktop thickness: 16 mm

Environment+safety:

- 2 stage Hh residual heat indicator for each zone
- Main switch
- Boost setting for all zones
- Cooking zones: 1 x Ø 180 mm, 1.8 KW (max. Power levels 3 KW) Induction; 1 x Ø 180 mm, 1.8 KW (max. Power levels 3 KW) Induction; 1 x Ø 145 mm, 1.4 KW (max. Power levels 2.2 KW) Induction; 1 x Ø 210 mm, 2.2 KW (max. Power levels 3 KW) Induction

**Series 4, Induction Hob, 60 cm
PUE611BF1B**



① Ventilation gap must be present

All measurements in mm

