

**Series 8, Mixed hob, 60 cm, Ceramic,  
Black  
PRY6A6B70**



**The ceramic glass gas hob with  
FlameSelect: achieve perfect cooking  
results thanks to nine precisely defined  
power levels.**

- Safety solution for your gas hob.

Product name/family: ..... Mixed hob with integrated controls  
 Built-in / Free-standing: ..... Built-in  
 Energy input: ..... Mixed  
 Total number of positions that can be used at the same time: ..... 3  
 Type of control setting devices: ..... sword knobs  
 Min. required niche size for installation (HxWxD): .....45 x 560-562 x  
 490-502 mm  
 Width of the appliance: ..... 606 mm  
 Dimensions: ..... 47x606x527 mm  
 Dimensions of the packed product (HxWxD): ..... 165 x 677 x 579 mm  
 Net weight: ..... 10.8 kg  
 Gross weight: ..... 12.0 kg  
 Residual heat indicator: .....No  
 Location of control panel: ..... Front  
 Basic surface material: .....Ceramic  
 Color of surface: .....Black, Alu, brushed  
 Color of frame: ..... Black  
 Length electrical supply cord: ..... 100.0 cm  
 EAN code: .....4242005073504  
 Gas connection rating: .....5800 W  
 Fuse protection: .....10 A  
 Voltage: ..... 220-240 V  
 Frequency: ..... 50; 60 Hz

HEZ298105 Simmer plate  
 HEZ298114 Small pot support



## **Series 8, Mixed hob, 60 cm, Ceramic, Black PRY6A6B70**

**The ceramic glass gas hob with  
FlameSelect: achieve perfect cooking  
results thanks to nine precisely defined  
power levels.**

---

### **Design**

- Ceramic glass surface, black
- Cast iron pan supports

### **Comfort & Convenience**

- step valve 9 steps: precisely adjust the flame in nine defined and repeatable levels.
- yes: clean without effort in the dishwasher.
- Sword Knobs: easily access knobs in front with strong grip for effortless turning.
- Ignition via control knobs: just push and turn the knob to ignite the flame.

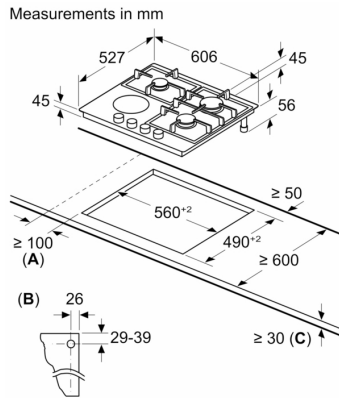
### **Burners and power**

- 3 PC and 1 PC
- Left front: Dual-circuit zone up to 0.7 KW, 1.8 KW (depending on gas type)
- Left rear: Economy burner up to 1.1 KW (depending on gas type)
- Right rear: High speed burner up to 2.8 KW (depending on gas type)
- Right front: Standard burner up to 1.9 KW (depending on gas type)

### **Safety**

- Flame failure safety device: prevents unwanted gas flow when flame goes out.
- Nozzle set for LPG jets included. Connection to 28-30/37 mbar bottled gas. Nozzles for all other gas types can be ordered via the customer service. For nozzle change, please contact the customer service.
- Dimensions of the product (HxWxD mm): 47 x 606 x 527
- Required niche size for installation (HxWxD mm) : 45 x 560 x (490 - 502)

**Series 8, Mixed hob, 60 cm, Ceramic,  
Black  
PRY6A6B70**



**A:** Min. distance from the hob cut-out to the wall

**B:** Position of gas connection in the cut-out

**C:** With fitted oven underneath possibly more; see space requirements for the oven