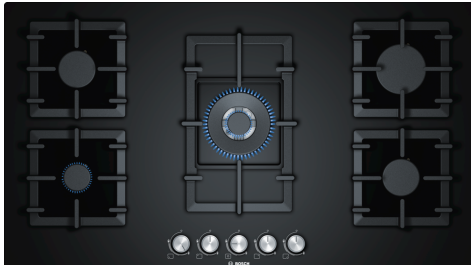


Series 6, Gas Hob, 90 cm, Tempered glass, Black PPQ9B6O90M



HEZ211310 Simmer cap
HEZ298105 Simmer plate
HEZ298114 Small pot support

- **Standard and semi-flush built-in option:** choose between flush or slightly raised installation.
- **Prompt and effective solution.**
- **Safety solution for your gas hob.**
- **Semi-continuous cast-iron pan support:** for high stability and easy cleaning.
- **Surface colour: elegant black tempered-glass design.**

Product name/family: gas hob w integrated controls
Built-in / Free-standing: Built-in
Energy input: Gas
Total number of positions that can be used at the same time: 5
Type of control setting devices: cylindrical knobs
Min. required niche size for installation (HxWxD): 45 x 850-852 x 490-502 mm
Width of the appliance: 915 mm
Dimensions: 58 x 915 x 520 mm
Dimensions of the packed product (HxWxD): ... 170 x 1125 x 665 mm
Net weight: 21.7 kg
Gross weight: 23.9 kg
Residual heat indicator: No
Location of control panel: Front
Basic surface material: Tempered glass
Color of surface: Black
Color of frame: Black
Length electrical supply cord: 100.0 cm
EAN code: 4242005171637
Gas connection rating: 11500 W
Fuse protection: 3 A
Voltage: 220-240 V
Frequency: 50; 60 Hz



Series 6, Gas Hob, 90 cm, Tempered glass, Black PPQ9B6O90M

Design:

- tempered black hard glass base black
- Cast iron separable w rub feet
- frameless

Comfort and Safety:

- Easy to use front mounted controls
- Easy to clean tempered black hard glass base surface.
- Ignition via control knobs

Power and size:

- 5 PC
- dual-circuit burner
- 4gas+wok (center)
- Left rear: Standard burner 1.75 KW
- Right rear: High speed burner 3 KW
- Center: Wok burner 4 KW
- Left front: Economy burner 1 KW
- Right front: Standard burner 1.75 KW

Environment+safety:

- Preset of liquid gas (28-30/37mbar)
- Flame failure safety device

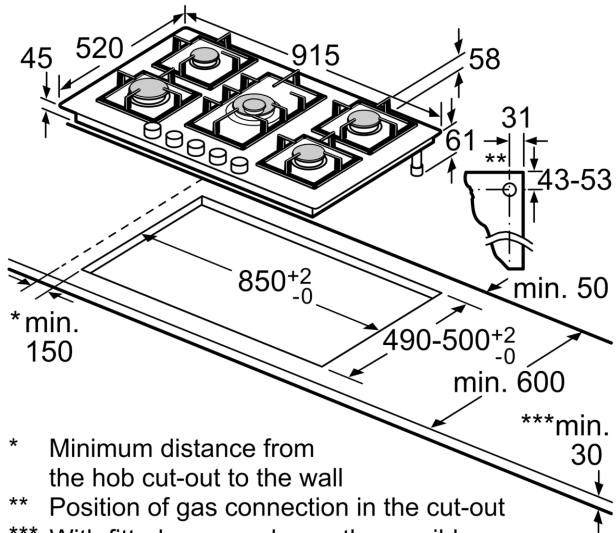
Accessories

- Natural gas nozzles (20 mbar) included

Measurements

- 100 cm

**Series 6, Gas Hob, 90 cm, Tempered glass, Black
PPQ9B6O90M**



- * Minimum distance from the hob cut-out to the wall
 - ** Position of gas connection in the cut-out
 - *** With fitted oven underneath, possibly more; see space requirements for the oven
- measurements in mm