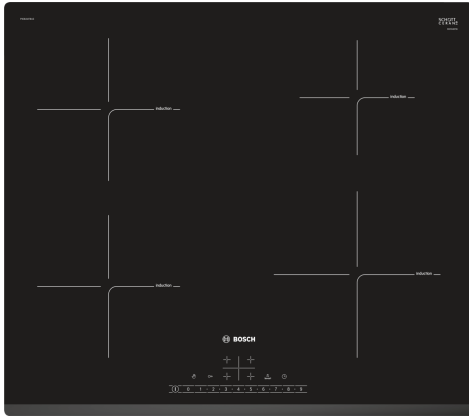


**Series 6, Induction Hob, 60 cm,
Black, surface mount without frame
PIE631FB1E**



The induction hob: cook fast, clean and safely while using very little energy.

- **DirectSelect:** Direct, simple selection of the desired cooking zone, power and additional functions.
- **PowerBoost:** Up to 50% more power for faster heating.
- **Ceramics glass is much more slim and durable with better vertical conduction.**

Product name/family: Cooking zone ceramic
 Built-in / Free-standing: Built-in
 Energy input: Electric
 Total number of positions that can be used at the same time: 4
 Min. required niche size for installation (HxWxD): 51 x 560-560 x 490-500 mm
 Width of the appliance: 592 mm
 Dimensions: 51 x 592 x 522 mm
 Dimensions of the packed product (HxWxD): 126 x 753 x 603 mm
 Net weight: 11.6 kg
 Gross weight: 13.8 kg
 Residual heat indicator: yes
 Location of control panel: Front
 Basic surface material: Ceramic
 Color of surface: Black
 Length electrical supply cord: 110.0 cm
 EAN code: 4242002870281
 Voltage: 220-240 V
 Frequency: 50; 60 Hz

- HEZ390090 Wok Set consisting of 3 Items
- HEZ9ES100 Espresso maker 4 cups
- HEZ9FE280 Iron pan Ø 18 / 28 cm
- HEZ9SE030 Set of 2 pots and 1 pan
- HEZ9SE040 4 pieces Set
- HEZ9SE060 6 pieces Set



**Series 6, Induction Hob, 60 cm,
Black, surface mount without frame
PIE631FB1E**

**The induction hob: cook fast, clean and
safely while using very little energy.**

Design:

- Front facette design

Comfort and Safety:

- 4 induction zone hob
- TouchControl MultiTouch
- Electronic power level display
- Timer with automatic shut off for all zones
- Buzzer
- Automatic pan recognition
- Power management function
- Automatic safety switch-off
- Safety lock
- Freeze function
- loose insert in packaging
- Connected load: 7.4 KW

Power and size:

- Cooking zones: 1 x Ø 180 mm, 1.8 KW (max. Power levels 3.1 KW)
Induction; 1 x Ø 180 mm, 1.8 KW (max. Power levels 3.1 KW)
Induction; 1 x Ø 145 mm, 1.4 KW (max. Power levels 2.2 KW)
Induction; 1 x Ø 210 mm, 2.2 KW (max. Power levels 3.7 KW)
Induction
- Min. worktop thickness: 16 mm

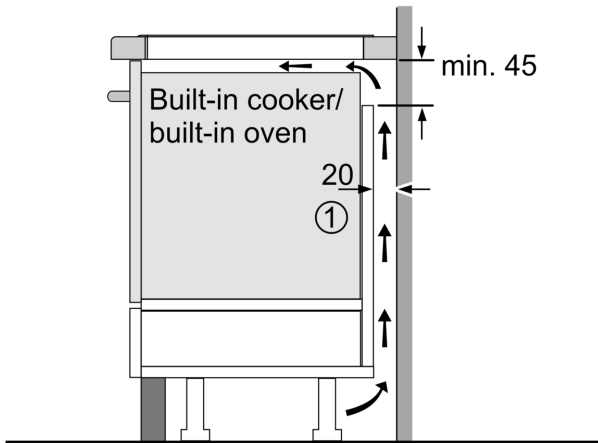
Environment+safety:

- 2 stage Hh residual heat indicator for each zone
- Main switch
- Variable 17-stage power settings for each zone

Quickness:

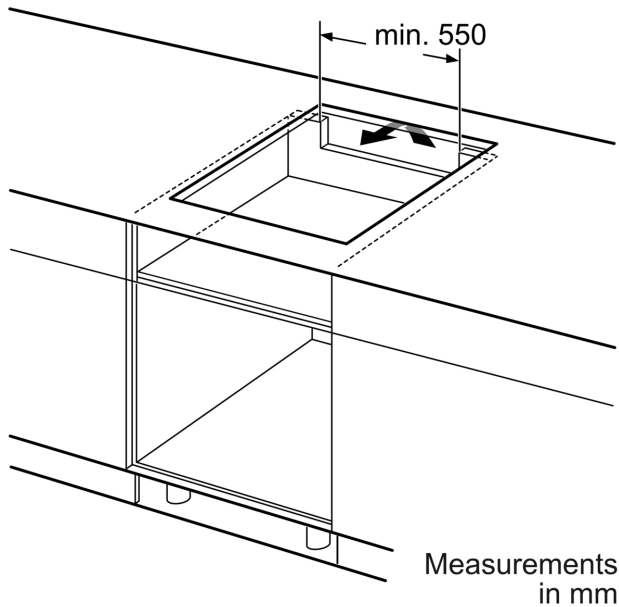
- Boost setting for all zones

**Series 6, Induction Hob, 60 cm,
Black, surface mount without frame
PIE631FB1E**

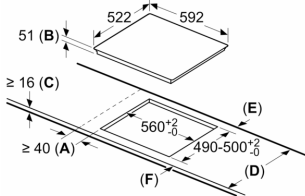


①
Ventilation gap must
be present

All measurements in mm



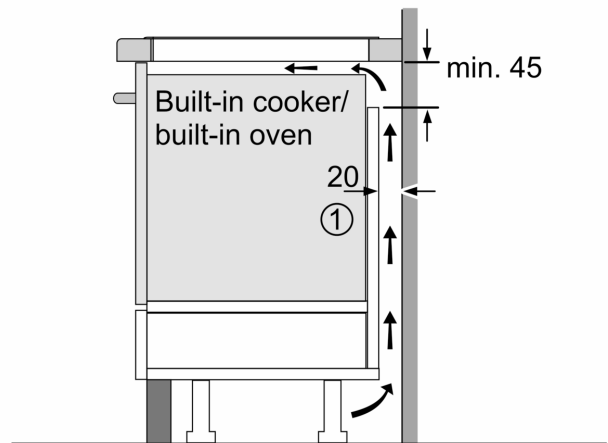
measurements in mm



- A: Minimum distance from the hob cut-out to the wall.
- B: Recessed depth
- C: The clearance between the surface of the worktop and the top of the front of the oven must be 30 mm. See space requirements for the oven.

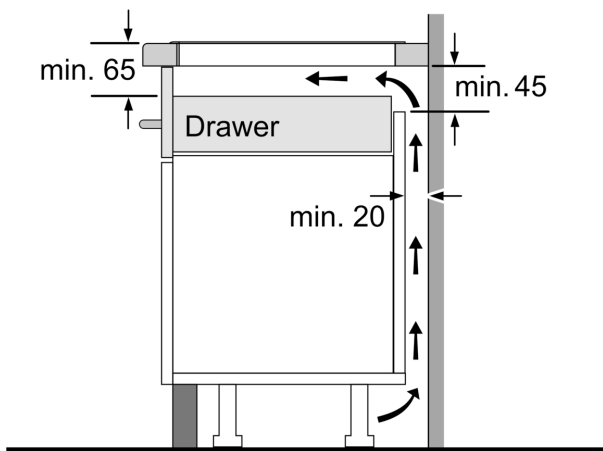
The worktop into which the hob is installed must withstand loads of approx. 60 kg; suitable substructures must be used if required.

D	E	F
585-600	50	≥ 35
> 600	≥ 50	≥ 50



①
Ventilation gap must
be present

All measurements in mm



Measurements in mm