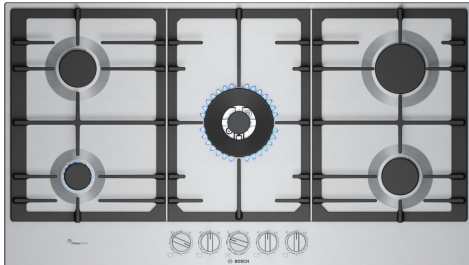


**Series 6, Gas Hob, 90 cm, Stainless steel
PCR9A5I90Z**



HEZ32WA00 Wireless food thermometer

The gas hob with precise flame control and easy cleaning thanks to detachable metallic knobs and dishwasher suitable cast iron pan supports.

- **FlameSelect:** for a precise adjustment of the flame in nine defined levels.
- **Continuous cast-iron pan support:** for high firmness and stability of cookware.
- **Safety gas cut-off:** ensures safety by instantly cutting off gas supply if the flame goes out.
- **Removable knobs:** effortless cleaning, happier cooking.
- **Dishwasher-suitable pan supports:** make cleaning your hob even easier.

Product name/family:gas hob w integrated controls
 Built-in / Free-standing: Built-in
 Energy input:Gas
 Total number of positions that can be used at the same time: 5
 Required niche size for installation (HxWxD): 45 x 850-850 x 490-500 mm
 Width of the appliance:915 mm
 Dimensions: 45x915x520 mm
 Dimensions of the packed product (HxWxD): 165x1116x659 mm
 Net weight: 16.2 kg
 Gross weight: 18.7 kg
 Residual heat indicator:No
 Location of control panel: Front
 Basic surface material: Stainless steel
 Color of surface: Stainless steel
 Length electrical supply cord: 100 cm
 EAN code:4242005496112
 Gas connection rating: 12100 W
 Fuse protection:3 A
 Voltage: 220-240 V
 Frequency: 50; 60 Hz



Series 6, Gas Hob, 90 cm, Stainless steel PCR9A5I90Z

The gas hob with precise flame control and easy cleaning thanks to detachable metallic knobs and dishwasher suitable cast iron pan supports.

Design

- Stainless steel surface
- Cast iron pan supports
- full metal

Comfort & Convenience

- step valve 9 steps: precisely adjust the flame in nine defined and repeatable levels.
- Sword Knobs, front: easily access knobs in front with strong grip for effortless turning.
- Ignition via control knobs: just push and turn the knob to ignite the flame.

Burners and power

- 5 PC
- Including 1 Dual Wok burner: use an extra wide power range, separately controlling two flame rings.
- Left front: Economy burner up to 1 KW (depending on gas type)
- Left rear: Standard burner up to 1.75 KW (depending on gas type)
- Center front: Wok burner up to 5 KW (depending on gas type)
- Right rear: High speed burner up to 3 KW (depending on gas type)
- Right front: Standard burner up to 1.75 KW (depending on gas type)

Cleaning

- detachable for easy cleaning between knobs.
- yes for easy cleaning.

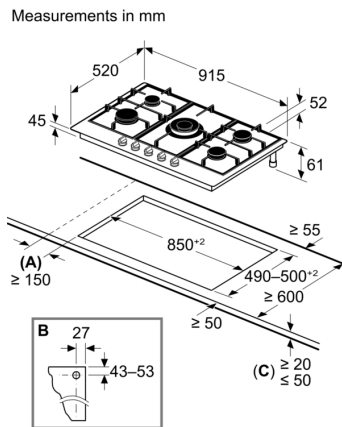
Safety

- Flame failure safety device: prevents unwanted gas flow when flame goes out.

Installation (gas types & measurements)

- Usable for: NG H/E 20mbar, E+ 20/25mbar
- Liquid gas G30,31 28-30/37mbar
- Preset of liquid gas (28-30/37mbar)
- Nozzle set for Natural gas nozzles (20 mbar) included. Nozzles for all other gas types can be ordered via the customer service. For nozzle change, please contact the customer service.
- Dimensions of the product (HxWxD mm): 51.5 x 915 x 520
- Required niche size for installation (HxWxD mm) : 45 x 850 x (490 - 500)
- Min. worktop thickness: 20 mm
- Power cord 1 m South Africa plug
- Connected load: 12.1 KW

Series 6, Gas Hob, 90 cm, Stainless steel PCR9A5I90Z



A: Min. distance from the hob cut-out to the wall

B: Position of gas connection in the cut-out

C: With fitted oven underneath possibly more; see space requirements for the oven

For worktop thickness between 12 mm to 20 mm need additional spacer, contact customer service for details