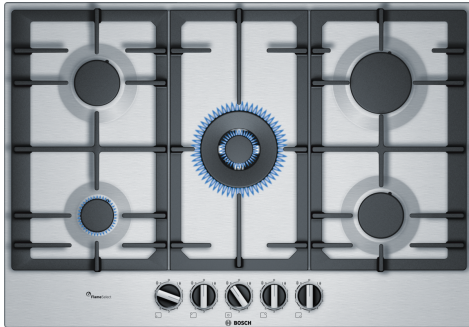


Series 6, Gas Hob, 75 cm, Stainless steel
PCQ7A5B90Z



- HEZ211310 Simmer cap
- HEZ298105 Simmer plate
- HEZ298107 Wok ring
- HEZ298115 Small pot support

- **FlameSelect:** for a precise adjustment of the flame in nine defined levels.
- **Continuous cast-iron pan support:** for high firmness and stability of cookware.
- **Sword knobs:** for an ergonomic control.
- **Surface colour:** elegant stainless-steel design.
- **FlameSelect:** for a precise adjustment of the flame in nine defined levels.

Product name/family:gas hob w integrated controls
 Built-in / Free-standing: Built-in
 Energy input:Gas
 Total number of positions that can be used at the same time: 5
 Type of control setting devices: sword knobs
 Min. required niche size for installation (HxWxD):45 x 560-562 x 480-492 mm
 Width of the appliance: 750 mm
 Dimensions: 53 x 750 x 520 mm
 Dimensions of the packed product (HxWxD): 145 x 793 x 597 mm
 Net weight: 13.8 kg
 Gross weight: 15.3 kg
 Residual heat indicator:No
 Location of control panel: Front
 Basic surface material: Stainless steel
 Color of surface: Stainless steel
 Length electrical supply cord: 100.0 cm
 EAN code:4242002914466
 Gas connection rating: 11500 W
 Fuse protection:3 A
 Voltage: 220-240 V
 Frequency: 60; 50 Hz



Series 6, Gas Hob, 75 cm, Stainless steel PCQ7A5B90Z

Design:

- Stainless steel

Comfort and Safety:

- Step valve 9 steps
- Sword Knobs
- Ignition via control knobs
- Cast iron pan supports

Power and size:

- 5 PC
- dual-circuit burner
- Left rear: Standard burner 1.75 KW
- Right rear: High speed burner 3 KW
- Left front: Economy burner 1 KW
- Right front: Standard burner 1.75 KW

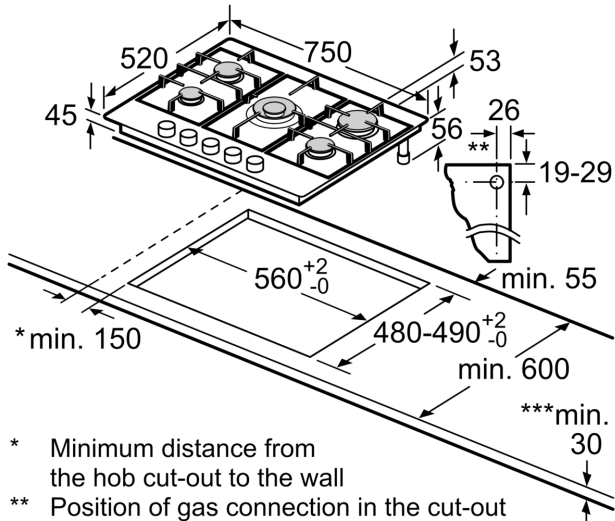
Environment+safety:

- Flame failure safety device
- Preset of liquid gas (28-30/37mbar)

Measurements**Accessories**

- Natural gas nozzles (20 mbar) included

Series 6, Gas Hob, 75 cm, Stainless steel
PCQ7A5B90Z



- * Minimum distance from the hob cut-out to the wall
 - ** Position of gas connection in the cut-out
 - *** With fitted oven underneath, possibly more; see space requirements for the oven
- measurements in mm