

**Serie | 2, Gas Hob, 60 cm, Stainless steel  
PBP6B5B80L**



**The gas hob with side-mounted controls:  
the desired cooking zones can be  
conveniently operated from the side.**

- **Continuous steel pan support:** for maximum stability.
- **Surface colour:** elegant stainless-steel design.

**Technical data**

Product name/family :	gas hob w integrated controls
Construction type :	Built-in
Energy input :	Gas
Total number of positions that can be used at the same time :	4
Required niche size for installation (HxWxD) :	45 x 560-562 x 480-492
Width of the product (mm) :	580
Dimensions of the product (mm) :	45 x 580 x 510
Dimensions of the packed product (HxWxD) (mm) :	141 x 651 x 578
Net weight (kg) :	9.729
Gross weight (kg) :	10.6
Residual heat indicator :	without
Location of control panel :	right
Basic surface material :	Stainless steel
Color of surface :	Stainless steel
Color of frame :	Stainless steel
Approval certificates :	CE
Length electrical supply cord (cm) :	100
Knob Material :	Plastic
Sealed Burners :	No
Electrical connection rating (W) :	1
Gas connection rating (W) :	7400
Current (A) :	3
Voltage (V) :	220-240
Frequency (Hz) :	60; 50
Main colour of product :	Stainless steel
Energy input :	Gas
Gas type :	Liquidgas G30,31 28-30/37 mbar
Approval certificates :	CE
Plug type :	no plug
Appliance Dimensions (h x w x d) (in) :	+ x x
Dimensions of the packed product (in) :	5.55 x 22.75 x 25.62
Net weight (lbs) :	21
Gross weight (lbs) :	23
Total number of positions that can be used at the same time :	4
Length electrical supply cord (cm) :	100
Required niche size for installation (HxWxD) :	45 x 560-562 x 480-492
Dimensions of the product (mm) :	45 x 580 x 510
Dimensions of the packed product (HxWxD) (mm) :	141 x 651 x 578
Net weight (kg) :	9.729
Gross weight (kg) :	10.6



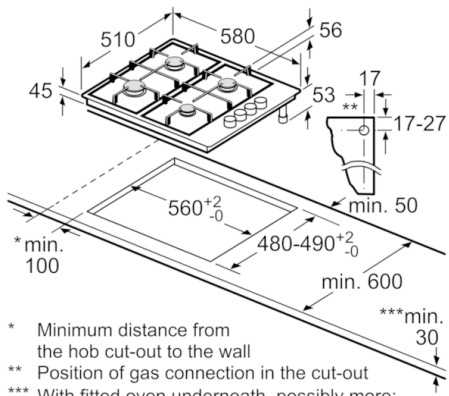
4 242002 831930

**Serie | 2, Gas Hob, 60 cm, Stainless steel  
PBP6B5B80L**

**The gas hob with side-mounted controls: the desired cooking zones can be conveniently operated from the side.**

- 
- 4 gas burners
  - 1 High Speed, 2 Standard, 1 Economy Burner
  - Front left: High-speed burner 3 KW
  - Rear left: Standard burner 1.7 KW
  - Rear right: Standard burner 1.7 KW
  - Front right: Economy burner 1 KW
  - Ignition via control knobs
  - Flame failure safety device

**Serie | 2, Gas Hob, 60 cm, Stainless steel  
PBP6B5B80L**



- \* Minimum distance from the hob cut-out to the wall
  - \*\* Position of gas connection in the cut-out
  - \*\*\* With fitted oven underneath, possibly more; see space requirements for the oven
- measurements in mm