

**iQ500, Ceiling Extractor, 90 cm,
Stainless steel
LR97CAQ50**



| | |
|-----------|--|
| LZ21JCC56 | Clean Air Plus recirc. kit external inox |
| LZ31XXB16 | Clean Air Plus odor filter (replacement) |
| LZ20JCD20 | Long Life recirc. kit external white |
| LZ20JCD50 | Long Life recirc. kit external inox |
| LZ21JCC26 | Clean Air Plus recirc.kit external white |
| HZG9AS00S | Adapter |
| LZ00XXP00 | Long Life odor filter (replacement) |

The new ceiling hood convinces with its high extraction rate in a timeless design.

- ✓ Home Connect – The app that makes your hood work smarter.
- ✓ iQdrive motor - The quiet, high-performance motor ensures efficient removal of odours and steam.
- ✓ The power level and the light of your hood can be adjusted by your cooktop with the cookConnect system or via the Home Connect App.
- ✓ LED light: For optimal visibility and atmosphere when cooking.

Technical specifications

| | |
|--|----------------------------|
| Typology: | Island/Ceiling |
| Length electrical supply cord: | 130.0 cm |
| Min. required niche size for installation (HxWxD): | 299mm x 888.0mm x 487mm mm |
| Minimum distance above an electric hob: | 650 mm |
| Minimum distance above a gas hob: | 650 mm |
| Net weight: | 27.2 kg |
| Type of control: | Electronic |
| Number of speed settings: | 3-stage + 2 intensive |
| Max. air extraction: | 459 m³/h |
| Boost position output recirculating: | 565.0 m³/h |
| Max. recirculation: | 422 m³/h |
| Boost position air extraction: | 798 m³/h |
| Maximum Air flow: | 459 m³/h |
| Number of lights: | 4 |
| Noise level: | 56 dB(A) re 1 pW |
| Diameter of air outlet: | 150 mm |
| Grease filter material: | Washable stainless steel |
| EAN code: | 4242003834015 |
| Connection rating: | 174 W |
| Voltage: | 220-240 V |
| Frequency: | 50; 60 Hz |
| Plug type: | Gardy plug w/ earthing |
| Installation typology: | Island |
| Delay Shut off modes: | 10 min |



iQ500, Ceiling Extractor, 90 cm, Stainless steel LR97CAQ50

Design:

- 90 cm
- stainless steel
- Ceiling mounted hood

Operating and power:

- Suitable for ducted extraction and recirculation
- 3-stage + 2 intensive
- Clean Air recirculating kit
- Metal grease filter with side extraction
- Stainless steel filter covers
- grease- and charcoal filter

Comfort and Safety:

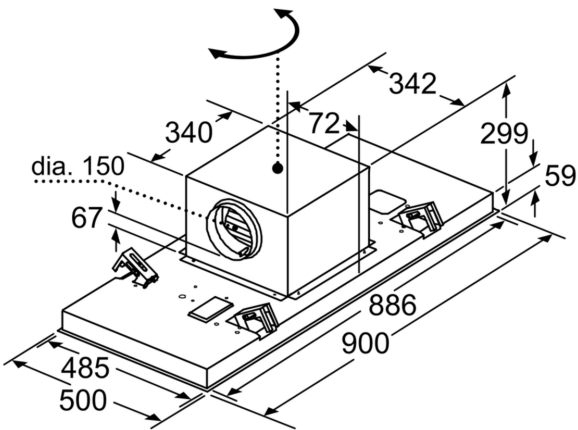
- Remote Monitoring and Control for connected home appliances and operation via smartphone or tablet (only in countries where Home Connect service is available)
- Voice Control enabled via popular voice assistants (only in countries where this service is available)
- Removable metal grease filters, dishwasher safe
- easy to clean inner frame in stainless steel
- 4 x 3W LED
- softLight
- Light dimmer function
- Light Intensity: 659 lux
- Colour Temperature: 3500 K
- Electronic controls via remote control
- Infrared remote control

Technical information:

- Automatic reset facility from intensive to normal setting
- 10 min.
- interval function: available via Home Connect
- silence function: available via Home Connect
- BLDC for Ventilation
- Twin channel high performance fan motor
- Turnable blower, air outlet on all four sides possible
- Extraction rate according to DIN/EN 61591 ø 15 cm: max. Normal 458 m³/h Intensive 798 m³/h
- Noise level according to EN 60704-3 and EN 60704-2-13 exhaust air:
- Max. normal use: 56 dB(A) re 1 pW (43 dB(A) re 20 µPa sound pressure)
- Intensive: 68 dB(A) re 1 pW (55 dB(A) re 20 µPa sound pressure)
- Max. extraction rate: 798 m³/h
- Power rating: 174 W
- Electrical cable length 1.3 m
- Dimensions (WxD): 900 x 500 mm
- built-in dimensions (HxWxD): 299 x 888 x 487 mm
- 150 mm diameter pipe

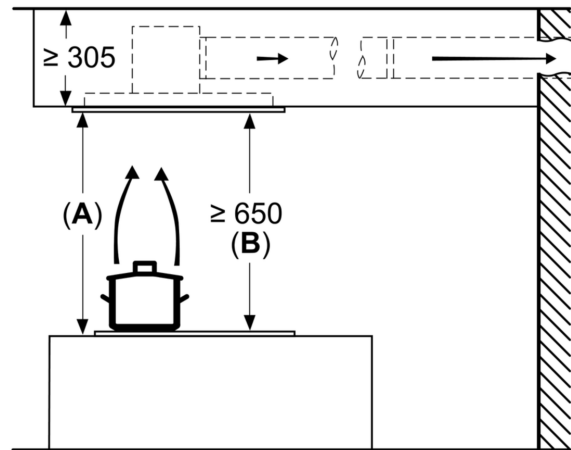
**iQ500, Ceiling Extractor, 90 cm,
Stainless steel
LR97CAQ50**

The fan outlet can be turned
in all four directions



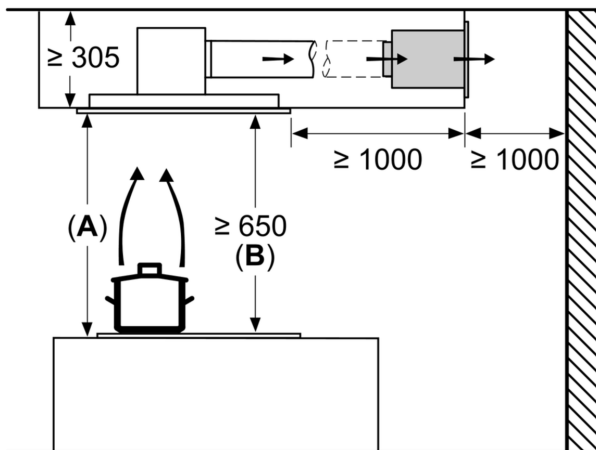
measurements in mm

measurements in mm
Air extraction



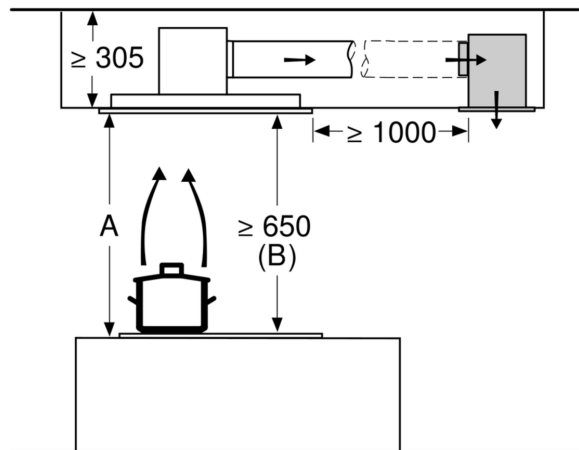
A: Optimum performance 700-1500
B: From upper edge of pan support

measurements in mm
Air recirculation

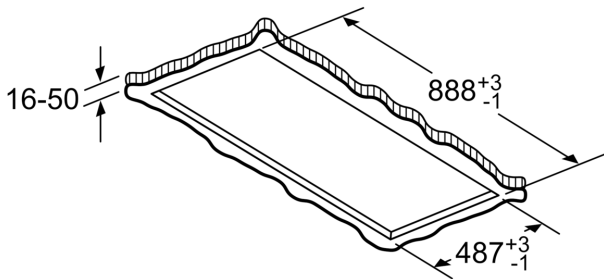


A: Optimum performance 700-1500
B: From upper edge of pan support

measurements in mm
Air recirculation



A: Optimum performance 700-1500
B: From upper edge of pan support



Never fit directly onto plasterboard or similar lightweight construction materials of the suspended ceiling. A suitable substructure is required that is securely fixed to the concrete ceiling.

measurements in mm