

iQ700, Ceiling Extractor, 120 cm, White LR29CQS25



The new studioLine ceiling hood convinces with its extremely high extraction rate in a timeless design.

- ✓ iQdrive motor - The quiet, high-performance motor ensures efficient removal of odours and steam.
- ✓ The power level and the light of your hood can be adjusted right on your cooktop with the cookConnect system or automatically by the climateControl sensor, which detects the amount of steam and odours.
- ✓ Home Connect – The app that makes your hood work smarter.
- ✓ The full-surface LED light with adjustable light temperature always ensures a perfect environment in your kitchen.

LZ31XXB16	Clean Air Plus odor filter (replacement)
HZG9AS00S	Adapter
LZ00XXP00	Long Life odor filter (replacement)
LZ20JCD20	Long Life recirc. kit external white
LZ20JCD50	Long Life recirc. kit external inox
LZ21JCC26	Clean Air Plus recirc.kit external white
LZ21JCC56	Clean Air Plus recirc. kit external inox

Typology:	Island/Ceiling
Length electrical supply cord:	130.0 cm
Min. required niche size for installation (HxWxD):	299mm x 1188.0mm x 487mm mm
Minimum distance above an electric hob:	650 mm
Minimum distance above a gas hob:	650 mm
Net weight:	39.0 kg
Type of control:	Electronic
Number of speed settings:	3-stage + 2 intensive
Max. air extraction:	459 m³/h
Boost position output recirculating:	637.0 m³/h
Max. recirculation:	419 m³/h
Boost position air extraction:	933 m³/h
Maximum Air flow:	459 m³/h
Number of lights:	1
Noise level:	56 dB(A) re 1 pW
Diameter of air outlet:	150 mm
Grease filter material:	Other
EAN code:	4242003831656
Connection rating:	276 W
Voltage:	220-240 V
Frequency:	50; 60 Hz
Plug type:	Gardy plug w/ earthing
Installation typology:	Island
Delay Shut off modes:	10 min



iQ700, Ceiling Extractor, 120 cm, White LR29CQS25

- Energy Efficiency Class: A*
- Average Energy Consumption: 50.5 kWh/year*
- Blower Efficiency Class: A*
- Lighting Efficiency Class: B*
- Grease Filtering Efficiency Class: E*
- Noise max. Normal Level: 56 dB*

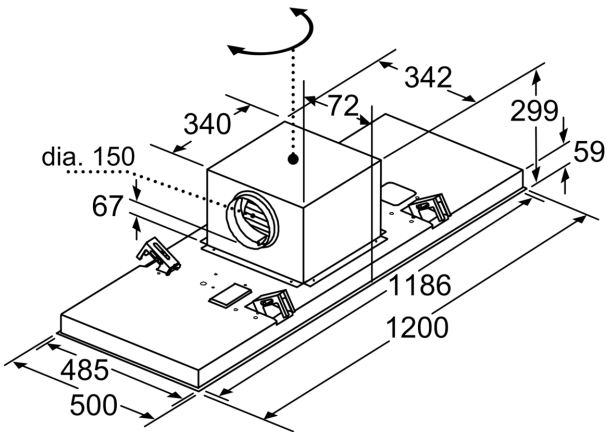
Technical information:

- 120 cm
- White
- Ceiling mounted hood
- Suitable for ducted extraction and recirculation
- Clean Air recirculating kit
- cooktop
- (with matching cooktop)
- Remote Monitoring and Control for connected home appliances and operation via smartphone or tablet (only in countries where Home Connect service is available)
- The Home Connect functionality can be extended by integrating numerous applications from external cooperation partners (partnerships)
- Voice Control enabled via popular voice assistants (only in countries where this service is available)
- fully automatic hood
- Metal grease filter with side extraction
- Filter cover glass
- Removable metal grease filters, dishwasher safe
- easy to clean inner frame in white
- grease- and charcoal filter
- cooktop lighting with 1 x 22.7 W LED panel
- Light dimmer function
- softLight
- Light Intensity: 534 lux
- Adjustable color temperature (2.700 K - 5.000 K) for adaption to the room lighting available via Home Connect
- Electronic controls via remote control
- Infrared remote control
- 3-stage + 2 intensive
- Automatic reset facility from intensive to normal setting
- 10 min.
- interval function: available via Home Connect
- silence function: available via Home Connect
- BLDC for Ventilation
- Twin channel high performance fan motor
- Turnable blower, air outlet on all four sides possible
- Extraction rate according to DIN/EN 61591 ø 15 cm: max. Normal 458 m³/h Intensive 933 m³/h
- Noise level according to EN 60704-3 and EN 60704-2-13 exhaust air:
- Max. normal use: 56 dB(A) re 1 pW (43dB(A) re 20 µPa sound pressure)

- Intensive: 70 dB(A) re 1 pW (57 dB(A) re 20 µPa sound pressure)
- Max. extraction rate: 933 m³/h
- Power rating: 276 W
- Electrical cable length 1.3 m
- Dimensions (WxD): 1200 x 500 mm
- built-in dimensions (HxWxD): 299 x 1188 x 487 mm
- 150 mm diameter pipe

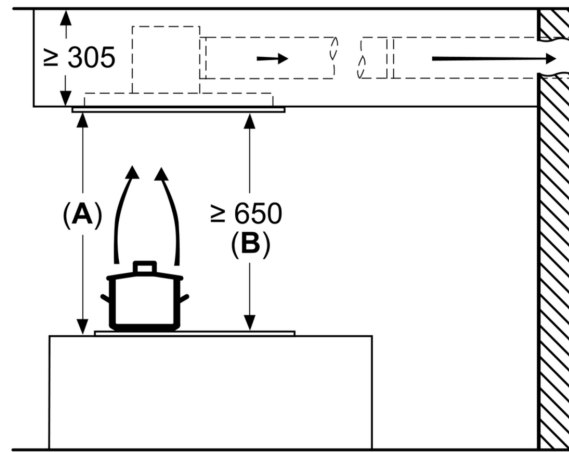
**iQ700, Ceiling Extractor, 120 cm,
White
LR29CQS25**

The fan outlet can be turned
in all four directions



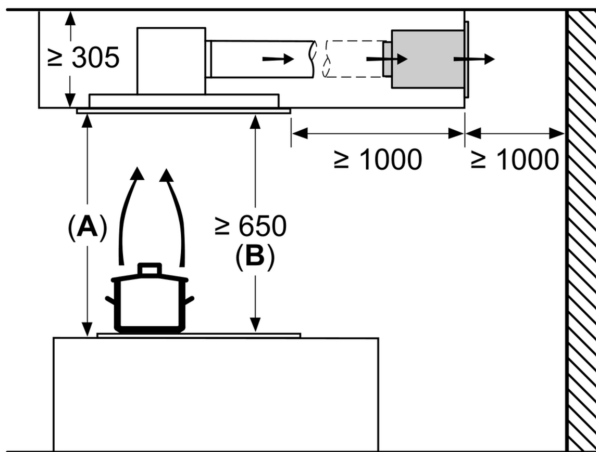
measurements in mm

measurements in mm
Air extraction



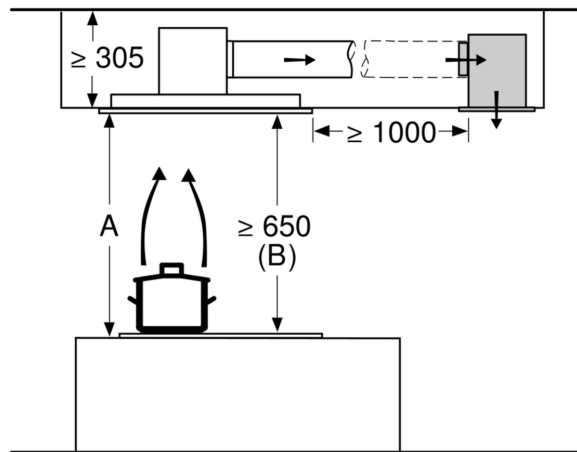
A: Optimum performance 700-1500
B: From upper edge of pan support

measurements in mm
Air recirculation

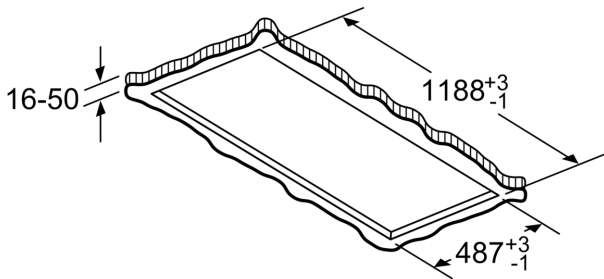


A: Optimum performance 700-1500
B: From upper edge of pan support

measurements in mm
Air recirculation



A: Optimum performance 700-1500
B: From upper edge of pan support



Never fit directly onto plasterboard or similar lightweight construction materials of the suspended ceiling. A suitable substructure is required that is securely fixed to the concrete ceiling.

measurements in mm