

iQ500, wall-mounted cooker hood, 90 cm, clear glass black printed LC98KPP60



- LZ00XP00 Long Life odor filter (replacement)
- LZ10AKR00 Long Life recirculation kit (chimless)
- LZ10AKS00 Long Life recirculation kit
- LZ10AXK50 Chimney extension 1000 mm
- LZ10AXL50 Chimney extension 1500 mm
- LZ11AKB16 Clean Air Plus odor filter (replacement)
- LZ11AKI16 Clean Air Plus recirculation kit
- LZ11AKV16 Clean Air Plus recirc. kit (chimless)
- LZ11AXC56 Clean Air Plus recirc. kit external
- LZ11AXE61 Chimney standard black
- LZ31XXB16 Clean Air Plus odor filter (replacement)

Angled extractor hood with outstanding design and high extraction rate for a powerful performance.

- ✓ LED light: For optimal visibility and atmosphere when cooking.
- ✓ The hood is expertly designed to be extremely quiet when being used (GERAEUS_ABL_ST_3_D_150 db(A)).
- ✓ The intensive setting temporarily increases the extraction rate when kitchen vapour is especially intense.
- ✓ Thanks to touchControl the power level and the LED light can be selected directly.
- ✓ The intensive setting temporarily increases the extraction rate when kitchen vapour is especially intense, with automatic revert after INTENSIVSTUFENRUECKST_DAUER

Typology: Wall-mounted
 Length electrical supply cord: 130.0 cm
 Height of the appliance: 323 mm
 Minimum distance above an electric hob: 450 mm
 Minimum distance above a gas hob: 650 mm
 Net weight: 24.3 kg
 Type of control: Electronic
 Number of speed settings: 3-stage + 2 intensive
 Max. air extraction: 468 m³/h
 Boost position output recirculating: 460 m³/h
 Max. recirculation: 378 m³/h
 Boost position air extraction: 836 m³/h
 Number of lights: 2
 Noise level: 56 dB(A) re 1 pW
 Diameter of air outlet: 120 / 150 mm
 Grease filter material: Washable aluminium
 EAN code: 4242003761335
 Connection Rating: 163 W
 Fuse protection: 10 A
 Voltage: 220-240 V
 Frequency: 50; 60 Hz
 Plug type: GARDY plug w/ earthing
 Installation typology: Wall-mounted
 Delay Shut off modes: 10 min



iQ500, wall-mounted cooker hood, 90 cm, clear glass black printed LC98KPP60

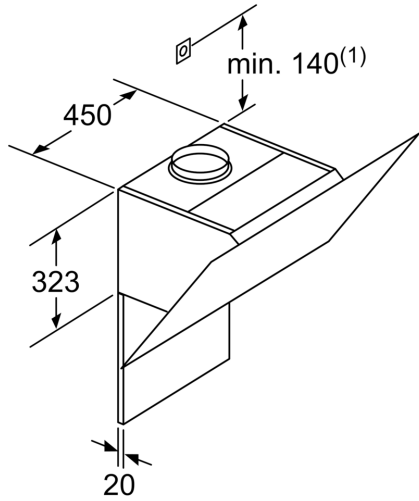
- Energy Efficiency Class: A+*
- Average Energy Consumption: 30.1 kWh/year*
- Blower Efficiency Class: A*
- Lighting Efficiency Class: A*
- Grease Filtering Efficiency Class: B*
- Noise max. Normal Level: 56 dB*

Technical information:

- Chimney hood
- 90 cm
- black
- Glas plate: clear glass black printed
- Boost function
- Suitable for ducted extraction and recirculation
- In recirculation operation chimless use possible
- For recirculated extraction a recirculating kit or a CleanAir recirculation kit (accessory) is needed
- Designed for wall mounted installation
- Gas spring 3
- touch control for extractor speeds and light
- Electronic controls
- Electronic controls via touch control with 2x7-segment
- touch control (3-stage + 2 intensive) with 2x7-segment
- 3-stage + 2 intensive
- 10 min.
- 2 capture areas: front side and bottom side
- Intensive op. revert dur.: 6 min.
- Easy to clean
- Light dimmer function
- softLight
- Twin channel high performance fan motor
- BLDC for Ventilation
- 2 x 1,5W LED
- Light Intensity: 238 lux
- Colour Temperature: 3500 K
- Metal grease filter with side extraction
- grease- and charcoal filter
- Filter cover glass
- Removable metal grease filters, dishwasher safe
- Extraction rate according to DIN/EN 61591 ø 15 cm: max. Normal 468 m³/h Intensive 836 m³/h
- Ducted extraction rate according to DIN/EN 61591 max. 468 m³/h
- Maximum extraction 468 m³/h
- Extraction rate exhaust air according to EN 61591: max. normal use 468 m³/h, intensive 836 m³/h
- Noise level according to EN 60704-3 und EN 60704-2-13 at max. normal use exhaust air: 56 dB(A) re 1 pW (43 dB(A) re 20 µPa sound pressure)

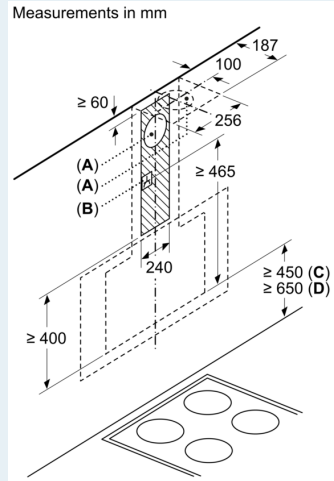
- Noise level according to EN 60704-3 and EN 60704-2-13 exhaust air: Max. normal use: 56 dB(A) re 1 pW (43 dB(A) re 20 µPa sound pressure) Intensive: 68 dB(A) re 1 pW (55 dB(A) re 20 µPa sound pressure)
- Diameter pipe Ø 150 mm (Ø 120 mm enclosed)
- Yes
- Max. extraction rate: 836 m³/h
- Extraction rate in recirculation mode: Max. normal use: 459 m³/h Intensive: 703 m³/h
- Noise levels in recirculation mode: Max. normal use: 65 dB(A) re 1 pW (54 dB(A) re 20 µPa sound pressure) Intensive: 77 dB(A) re 1 pW (63 dB(A) re 20 µPa sound pressure)
- Power rating: 163 W
- Dimensions exhaust air (HxWxD): 930-1200 x 892 x 499 mm
- Dimensions recirculating, chimney (HxWxD): 990-1260 x 892 x 499 mm
- Dimensions recirculating, chimless (HxWxD): 455 mm x 892 x 499 mm
- Dimensions recirculating with CleanAir module (HxWxD): 1120 x 892 x 499 mm - mounting with outer chimney 1190-1460 x 892 x 499 mm - mounting with telescopic chimney

* In accordance with the EU-Regulation No 65/2014



(1) Position of socket

Note the maximum thickness of the back panel.
measurements in mm



A: Exhaust air
B: Socket
From upper edge of pan support
C: Electric
D: Gas