

iQ500, Wall-mounted Extractor Hood, 90 cm, clear glass black printed LC97FQP60



Extractor hood in Flat design with high extraction rate for a powerful performance. Extractor hood in Flat design with high extraction rate for a powerful performance.

- ✓ LED light: For optimal visibility and atmosphere when cooking.
- ✓ The hood is expertly designed to be extremely quiet when being used (GERAEUS_ABL_ST_3_D_150 db(A)).
- ✓ The intensive setting temporarily increases the extraction rate when kitchen vapour is especially intense.
- ✓ Thanks to touchControl the power level and the LED light can be selected directly.
- ✓ The intensive setting temporarily increases the extraction rate when kitchen vapour is especially intense, with automatic revert after INTENSIVSTUFENRUECKST_DAUER

LZ00XP00	Long Life odor filter (replacement)
LZ10AFR00	Long Life recirculation kit (chimless)
LZ10AFS00	Long Life recirculation kit
LZ10AXK50	Chimney extension 1000 mm
LZ10AXL50	Chimney extension 1500 mm
LZ11AFB16	Clean Air Plus odor filter (replacement)
LZ11AFI16	Clean Air Plus recirculation kit
LZ31XXB16	Clean Air Plus odor filter (replacement)
LZ11AFV16	Clean Air Plus recirc. kit (chimless)
LZ11AXC56	Clean Air Plus recirc. kit external
LZ11AXE61	Chimney standard black

Typology: Wall-mounted
 Length electrical supply cord: 130.0 cm
 Height of the appliance:430 mm
 Minimum distance above an electric hob:450 mm
 Minimum distance above a gas hob: 650 mm
 Net weight: 24.6 kg
 Type of control: Electronic
 Number of speed settings: 3-stage + 2 intensive
 Max. air extraction: 394 m³/h
 Boost position output recirculating:404 m³/h
 Max. recirculation: 249 m³/h
 Boost position air extraction:717 m³/h
 Maximum Air flow: 394 m³/h
 Number of lights:2
 Noise level:57 dB(A) re 1 pW
 Diameter of air outlet: 120 / 150 mm
 Grease filter material:Washable aluminium
 EAN code:4242003761175
 Connection rating: 143 W
 Fuse protection:10 A
 Voltage:220-240 V
 Frequency:50; 60 Hz
 Plug type: Gardy plug w/ earthing
 Installation typology:Wall-mounted
 Delay Shut off modes: 10 min



iQ500, Wall-mounted Extractor Hood, 90 cm, clear glass black printed LC97FQP60

- Energy Efficiency Class: A*
- Average Energy Consumption: 37.8 kWh/year*
- Blower Efficiency Class: B*
- Lighting Efficiency Class: A*
- Grease Filtering Efficiency Class: B*
- Noise max. Normal Level: 57 dB*

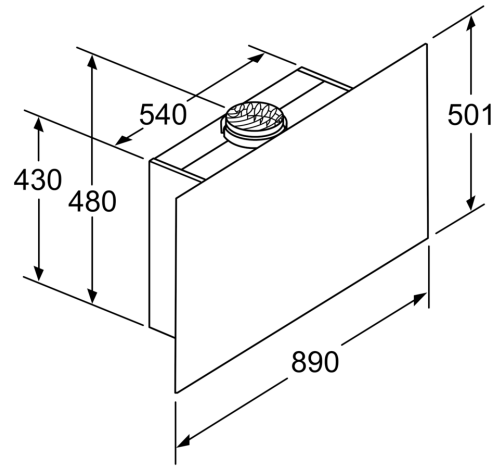
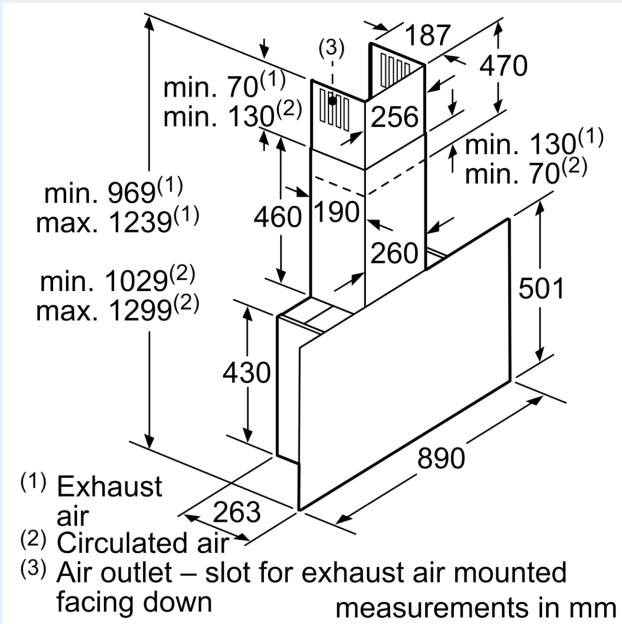
Technical information:

- Chimney hood
- 90 cm
- black
- Glas plate: clear glass black printed
- Boost function
- Suitable for ducted extraction and recirculation
- In recirculation operation chimless use possible
- For recirculated extraction a recirculating kit or a CleanAir recirculation kit (accessory) is needed
- Designed for wall mounted installation
- Gas spring 3
- touch control for extractor speeds and light
- Electronic controls
- Electronic controls via touch control with 2x7-segment
- touch control (3-stage + 2 intensive) with 2x7-segment
- 3-stage + 2 intensive
- 10 min.
- 2 capture areas: front side and bottom side
- Intensive op. revert dur.: 6 min.
- Easy to clean
- Light dimmer function
- softLight
- BLDC for Ventilation
- 2 single inlet vertical, BLDC for Ventilation
- 2 x 1,5W LED
- Light Intensity: 225 lux
- Colour Temperature: 3500 K
- Metal grease filter with side extraction
- grease- and charcoal filter
- Filter cover glass
- Removable metal grease filters, dishwasher safe
- Extraction rate according to DIN/EN 61591 ø 15 cm: max. Normal 394 m³/h Intensive 717 m³/h
- Ducted extraction rate according to DIN/EN 61591 max. 394 m³/h
- Maximum extraction 394 m³/h
- Extraction rate exhaust air according to EN 61591: max. normal use 394 m³/h, intensive 717 m³/h
- Noise level according to EN 60704-3 und EN 60704-2-13 at max. normal use exhaust air: 57 dB(A) re 1 pW (44 dB(A) re 20 µPa sound pressure)

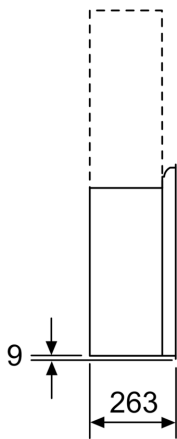
- Noise level according to EN 60704-3 and EN 60704-2-13 exhaust air: Max. normal use: 57 dB(A) re 1 pW (44 dB(A) re 20 µPa sound pressure) Intensive: 70 dB(A) re 1 pW (57 dB(A) re 20 µPa sound pressure)
- Diameter pipe Ø 150 mm (Ø 120 mm enclosed)
- Max. extraction rate: 717 m³/h
- Extraction rate in recirculation mode: Max. normal use: 311 m³/h Intensive: 578 m³/h
- Power rating: 143 W
- Dimensions exhaust air (HxWxD): 969-1239 x 892 x 263 mm
- Dimensions recirculating, chimney (HxWxD): 1029-1299 x 892 x 263 mm
- Dimensions recirculating with CleanAir module (HxWxD): 1159 x 892 x 263 mm - mounting with outer chimney 1229-1499 x 892 x 263 mm - mounting with telescopic chimney
- Dimensions recirculating, chimless (HxWxD): 501 mm x 892 x 263 mm

* In accordance with the EU-Regulation No 65/2014

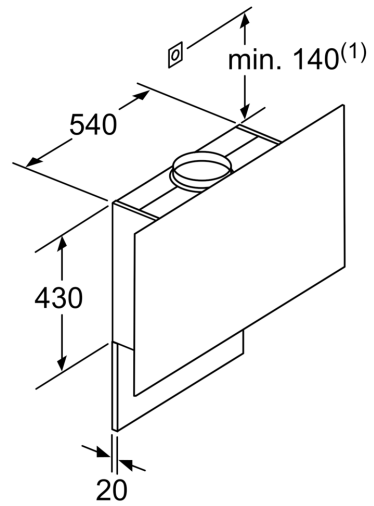
iQ500, Wall-mounted Extractor Hood, 90 cm, clear glass black printed
LC97FQP60



Appliance in circulated air mode without duct
Circulated air set required
measurements in mm

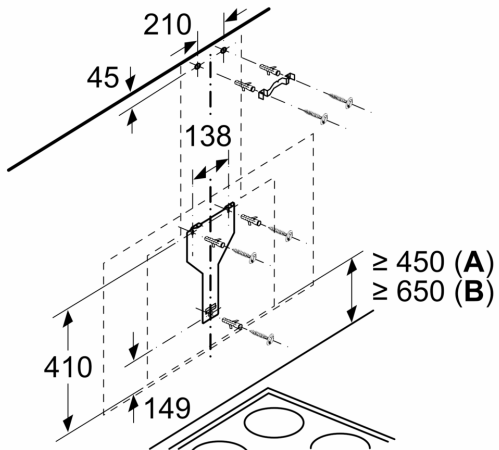


measurements in mm



(1) Position of socket
Note the maximum thickness of the back panel.
measurements in mm

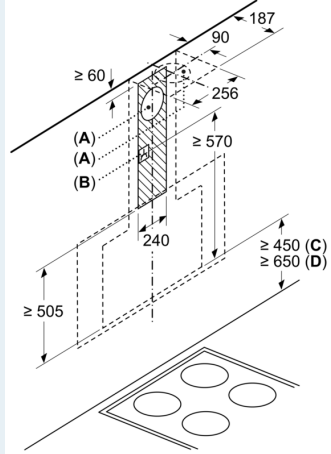
Measurements in mm



From upper edge of pan support

- A: Electric
- B: Gas

Measurements in mm



- A: Exhaust air
- B: Socket

From upper edge of pan support

- C: Electric
- D: Gas