

iQ100, Wall-mounted Extractor Hood, 90 cm, Stainless steel LC94BBC50



Extractor hood in Box design with high extraction rate.

✓ LED light: For optimal visibility and atmosphere when cooking.

LZ12250 Chimney extension 1000 mm, LZ12350 Chimney extension 1500 mm, LZ31XXB16 Clean Air Plus odor filter (replacement), LZ50960 Backboard 90x65cm, HZG9AS00S Adapter, LZ00XXP00 Long Life odor filter (replacement), LZ10DXA00 Standard odor filter (replacement), LZ10DXU00 Standard recirculation kit, LZ10FXJ00 Long Life recirculation kit, LZ11DXB14 Clean Air Standard odor filter (repl.), LZ11DXI14 Clean Air Standard recirculation kit, LZ11DXI16 Clean Air Plus recirculation kit, LZ11FXC56 Clean Air Plus recirc. kit external, LZ11FXD51 Long Life recirculation kit external

Typology: Wall-mounted
 Length electrical supply cord: 130.0 cm
 Height of the chimney: 583-912/583-1022 mm
 Height of the appliance: 53 mm
 Minimum distance above an electric hob: 550 mm
 Minimum distance above a gas hob: 650 mm
 Net weight: 11.8 kg
 Type of control: mechanical
 Number of speed settings: 3
 Max. air extraction: 365 m³/h
 Max. recirculation: 240 m³/h
 Maximum Air flow: 365 m³/h
 Number of lights: 2
 Noise level: 64 dB(A) re 1 pW
 Diameter of air outlet: 120 / 150 mm
 Grease filter material: Washable aluminium
 EAN code: 4242003811177
 Connection rating: 100 W
 Fuse protection: 10 A
 Voltage: 220-240 V
 Frequency: 50; 60 Hz
 Plug type: Gardy plug w/ earthing
 Installation typology: Wall-mounted



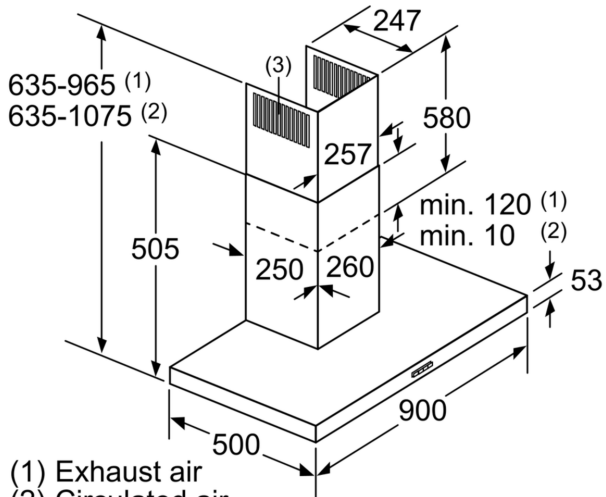
iQ100, Wall-mounted Extractor Hood, 90 cm, Stainless steel LC94BBC50

- Energy Efficiency Class: D*
- Average Energy Consumption: 53.1 kWh/year*
- Noise max. Normal Level: 64 dB*

Technical information:

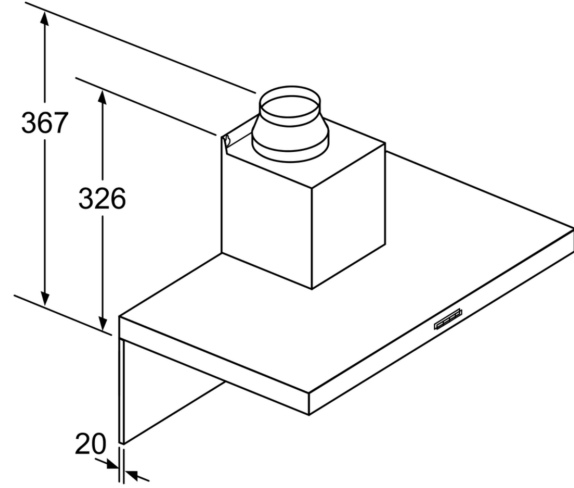
- Chimney hood
- stainless steel
- 90 cm stainless steel Chimney hood with glass canopy
- 90 cm wide
- Suitable for ducted extraction and recirculation
- Recirc. kit or clean air kit
- Designed for wall mounted installation
- push buttons for extractor speeds and light
- 3 speed control via push buttons
- 3 speed control
- Twin channel high performance fan motor
- 2 x 1,5W LED
- Light Intensity: 91 lux
- Colour Temperature: 3500 K
- Removable metal grease filters, dishwasher safe
- Ducted extraction rate according to DIN/EN 61591 max. 365 m³/h
- Maximum extraction 365 m³/h
- Diameter pipe Ø 150 mm (Ø 120 mm enclosed)
- Max. extraction rate: 365 m³/h
- Dimensions exhaust air (HxWxD): 635-965 x 900 x 500 mm
- Dimensions recirculating (HxWxD): 635-1075 x 900 x 500 mm
- Dimensions recirculating with CleanAir module (HxWxD):
- 703 x 900 x 500mm - mounting with outer chimney
- 833-1163 x 900 x 500 mm - mounting with telescopic chimney
- Power rating: 100 W
- Electrical cable length 1.3 m

**iQ100, Wall-mounted Extractor Hood, 90 cm, Stainless steel
LC94BBC50**



- (1) Exhaust air
- (2) Circulated air
- (3) Air outlet – slots for exhaust air to be mounted facing down

measurements in mm



If a back panel is used, the design of the appliance must be considered.

measurements in mm

