

## iQ700, Wall-mounted Extractor Hood, 90 cm, clear glass black printed LC91KWP60



- LZ11AXC56 Clean Air Plus recirc. kit external
- LZ11AXE61 Chimney standard black
- LZ31XXB16 Clean Air Plus odor filter (replacement)
- LZ10AXL50 Chimney extension 1500 mm
- LZ11AKB16 Clean Air Plus odor filter (replacement)
- LZ11AKI16 Clean Air Plus recirculation kit
- LZ11AKV16 Clean Air Plus recirc. kit (chimless)
- LZ10AKS00 Long Life recirculation kit
- LZ10AXK50 Chimney extension 1000 mm
- LZ00XXP00 Long Life odor filter (replacement)
- LZ10AKR00 Long Life recirculation kit (chimless)

Angled extractor hood with outstanding design and high extraction rate for a powerful performance.

- ✓ LED light: For optimal visibility and atmosphere when cooking.
- ✓ The hood is expertly designed to be extremely quiet when being used (GERAEUS\_ABL\_ST\_3\_D\_150 db(A)).
- ✓ The intensive setting temporarily increases the extraction rate when kitchen vapour is especially intense.
- ✓ Thanks to touchControl the power level and the LED light can be selected directly.
- ✓ The intensive setting temporarily increases the extraction rate when kitchen vapour is especially intense, with automatic revert after INTENSIVSTUFENRUECKST\_DAUER

Typology: ..... Wall-mounted  
 Length electrical supply cord: ..... 130.0 cm  
 Height of the appliance: ..... 323 mm  
 Minimum distance above an electric hob: ..... 450 mm  
 Minimum distance above a gas hob: ..... 650 mm  
 Net weight: ..... 23.6 kg  
 Type of control: ..... Electronic  
 Number of speed settings: ..... 3-stage + 2 intensive  
 Max. air extraction: ..... 525 m³/h  
 Boost position output recirculating: ..... 512 m³/h  
 Max. recirculation: ..... 402 m³/h  
 Boost position air extraction: ..... 991 m³/h  
 Maximum Air flow: ..... 525 m³/h  
 Number of lights: ..... 2  
 Noise level: ..... 58 dB(A) re 1 pW  
 Diameter of air outlet: ..... 120 / 150 mm  
 Grease filter material: ..... Washable aluminium  
 EAN code: ..... 4242003761045  
 Connection rating: ..... 266 W  
 Fuse protection: ..... 10 A  
 Voltage: ..... 220-240 V  
 Frequency: ..... 50; 60 Hz  
 Plug type: ..... Gardy plug w/ earthing  
 Installation typology: ..... Wall-mounted  
 Delay Shut off modes: ..... 10 min



## iQ700, Wall-mounted Extractor Hood, 90 cm, clear glass black printed LC91KWP60

- Energy Efficiency Class: A+\*
- Average Energy Consumption: 38.5 kWh/year\*
- Blower Efficiency Class: A\*
- Lighting Efficiency Class: A\*
- Grease Filtering Efficiency Class: B\*
- Noise max. Normal Level: 58 dB\*

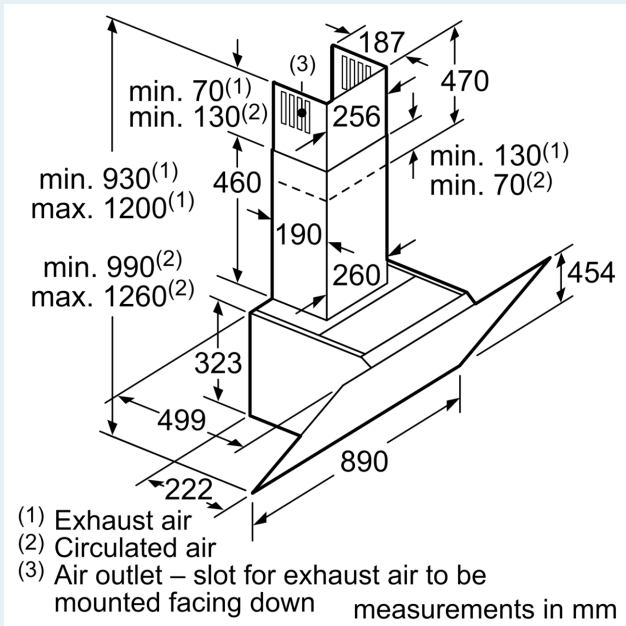
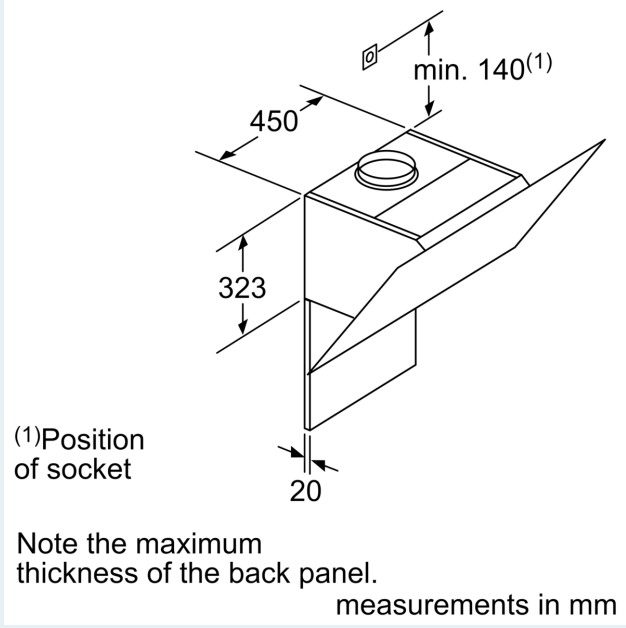
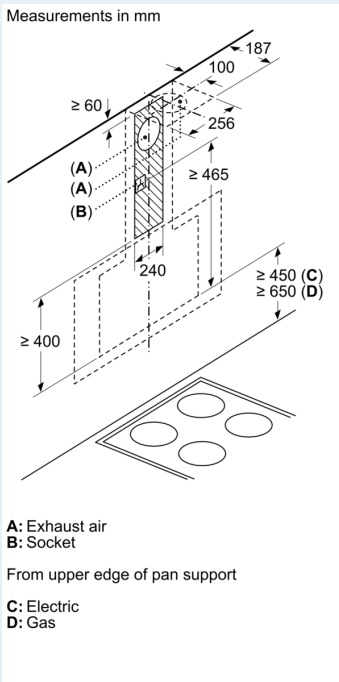
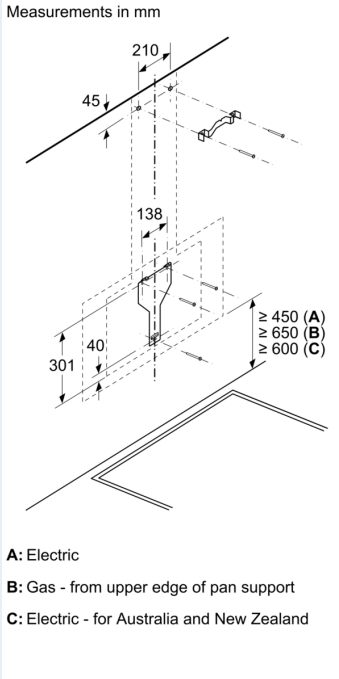
### Technical information:

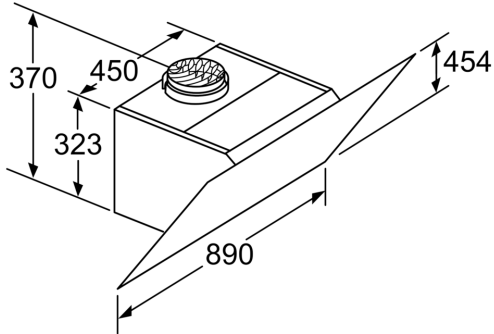
- Glas plate: clear glass black printed
- Boost function
- Suitable for ducted extraction and recirculation
- In recirculation operation chimless use possible
- For recirculated extraction a recirculating kit or a CleanAir recirculation kit (accessory) is needed
- Designed for wall mounted installation
- Gas spring 3
- touch control for extractor speeds and light
- Electronic controls
- Electronic controls via touch control with 2x7-segment
- touch control (3-stage + 2 intensive) with 2x7-segment
- 10 min.
- 2 capture areas: front side and bottom side
- Intensive op. revert dur.: 6 min.
- Easy to clean
- Light dimmer function
- softLight
- Twin channel high performance fan motor
- BLDC for Ventilation
- 2 x 3W LED
- Light Intensity: 519 lux
- Colour Temperature: 3500 K
- Metal grease filter with side extraction
- grease- and charcoal filter
- Filter cover glass
- Removable metal grease filters, dishwasher safe
- Extraction rate according to DIN/EN 61591 ø 15 cm: max. Normal 525 m³/h Intensive 991 m³/h
- Ducted extraction rate according to DIN/EN 61591 max. 525 m³/h
- Maximum extraction 525 m³/h
- Extraction rate exhaust air according to EN 61591: max. normal use 525 m³/h, intensive 991 m³/h
- Noise level according to EN 60704-3 und EN 60704-2-13 at max. normal use exhaust air: 58 dB(A) re 1 pW (45 dB(A) re 20 µPa sound pressure)
- Noise level according to EN 60704-3 and EN 60704-2-13 exhaust air: Max. normal use: 58 dB(A) re 1 pW (45 dB(A) re 20 µPa sound pressure) Intensive: 71 dB(A) re 1 pW (58 dB(A) re 20 µPa sound pressure)

- Diameter pipe Ø 150 mm (Ø 120 mm enclosed)
- Max. extraction rate: 991 m³/h
- Power rating: 266 W
- Dimensions exhaust air (HxWxD): 930-1200 x 890 x 499 mm
- Dimensions recirculating, chimney (HxWxD): 990-1260 x 890 x 499 mm
- Dimensions recirculating, chimless (HxWxD): 454 mm x 890 x 499 mm
- Dimensions recirculating with CleanAir module (HxWxD): 1120 x 890 x 499 mm - mounting with outer chimney 1190-1460 x 890 x 499 mm - mounting with telescopic chimney

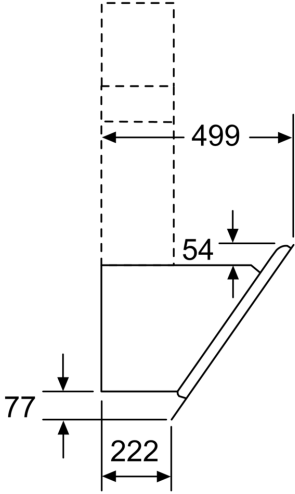
\* In accordance with the EU-Regulation No 65/2014

**iQ700, Wall-mounted Extractor Hood, 90 cm, clear glass black printed LC91KWP60**





Appliance in circulated air mode  
without duct  
Circulated air set required  
measurements in mm



measurements in mm