

iQ300, Wall-mounted Extractor Hood, 60 cm, clear glass black printed LC65KA670T



The wall-mounted chimney hood: mount it on the wall, giving you complete freedom in your kitchen planning.



Typology:	Wall-mounted
Length electrical supply cord:	130.0 cm
Height of the appliance:	354 mm
Minimum distance above an electric hob:	470 mm
Minimum distance above a gas hob:	570 mm
Net weight:	11.3 kg
Type of control:	Electronic
Number of speed settings:	3
Max. air extraction:	593 m³/h
Max. recirculation:	330 m³/h
Maximum Air flow:	593 m³/h
Number of lights:	2
Noise level:	67 dB(A) re 1 pW
Diameter of air outlet:	150 / 120 mm
Grease filter material:	Washable aluminium
EAN code:	4242003745472
Connection rating:	216 W
Fuse protection:	10 A
Voltage:	220-240 V
Frequency:	50 Hz
Plug type:	Gardy plug w/ earthing
Installation typology:	Wall-mounted



LA10LKA6 Standard odor filter



iQ300, Wall-mounted Extractor Hood, 60 cm, clear glass black printed LC65KA670T

- Chimney hood
- 60 cm wide

Comfort and Safety:

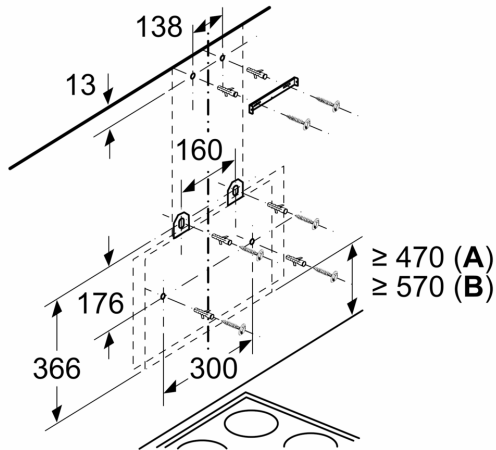
- black with glass canopy
- Suitable for ducted extraction and recirculation
- touch control with Electronic display
- Electronic controls via touch control with Electronic display
- 3 speed control
- Filter cover glass
- Removable metal grease filters, dishwasher safe
- Recirculating kit

Technical information:

- Power rating: 216 W
- Designed for wall mounted installation
- Metal grease filter with side extraction
- Twin channel high performance fan motor
- Diameter pipe Ø 150 mm (Ø 120 mm enclosed)

iQ300, Wall-mounted Extractor Hood, 60 cm, clear glass black printed LC65KA670T

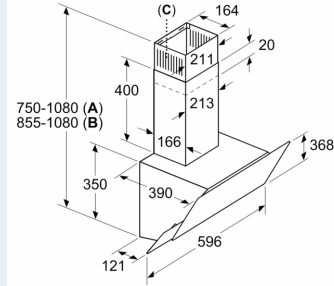
Measurements in mm



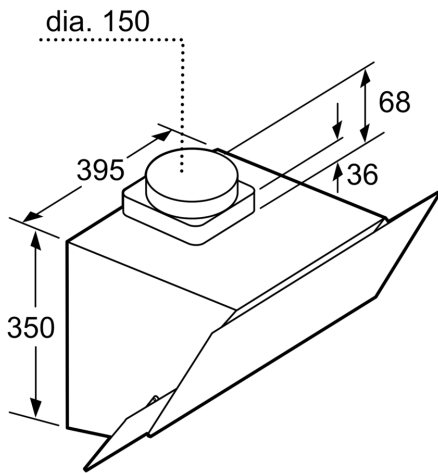
From upper edge of pan support

A: Electric
B: Gas

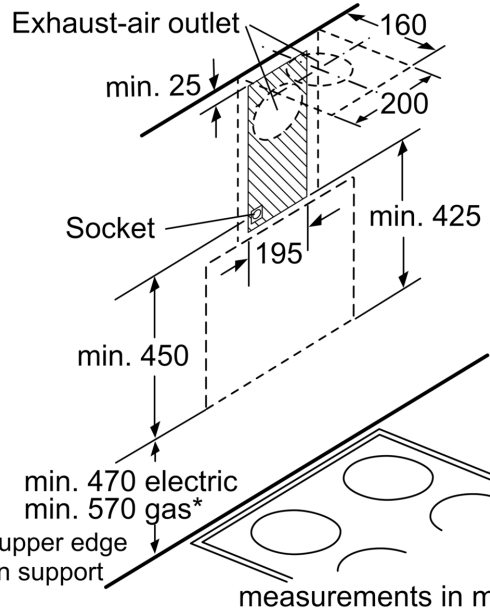
Measurements in mm



A: Exhaust air
B: Circulated air
C: Air outlet – slots for exhaust air to be mounted facing down



measurements in mm



* from upper edge of pan support

measurements in mm