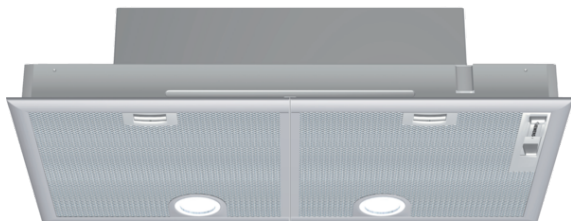


iQ300, Canopy Extractor, 75 cm, Silver metallic LB75564



The powerful canopy cooker hood is concealed above the cooktop.

- ✓ The 670 m³/h extraction rate supplies clean air when cooking.
- ✓ The intensive setting temporarily increases the extraction rate when kitchen vapour is especially intense.
- ✓ Extremely quiet at a mere 45 dB.

Features

Technical data

Typology : Traditional
 Approval certificates : Australia Standards, CE, VDE
 Length electrical supply cord (cm) : 130
 Required niche size for installation (HxWxD) : 255mm x 700mm x 350mm
 Net weight (kg) : 9.214
 Type of control : mechanical
 Maximum output air extraction (m³/h) : 390
 Boost position output recirculating (m³/h) : 430
 Maximum output recirculating air (m³/h) : 320
 Boost position air extraction (m³/h) : 640
 Number of lights : 2
 Noise level (dB(A) re 1 pW) : 59
 Diameter of air outlet (mm) : 120 / 150
 Grease filter material : Washable aluminium
 Odour filter : No
 Operating Mode : Convertible
 Optional accessories : HZG9AS00S, LZ73050, LZ74020
 Type of lamps used : Halogen
 Total power of the lamps (W) : 40
 Grease filter type : Kasette
 Connection Rating (W) : 240
 Current (A) : 10
 Voltage (V) : 220-240
 Frequency (Hz) : 50
 Plug type : Gardy plug w/ earthing
 Installation typology : Built-in
 Material body : Lacquered
 Approval certificates : Australia Standards, CE, VDE
 Plug type : Gardy plug w/ earthing
 Dimensions of the product, with chimney (if exists) (in) : / x x
 Dimensions of the packed product (in) : 11.41 x 31.10 x 17.32
 Net weight (lbs) : 20
 Gross weight (lbs) : 23
 Motor location : Integrated motor in hood body
 No-return airflow flap : No
 Length electrical supply cord (cm) : 130
 Dimensions of the product, with chimney (if exists) (mm) : 255 x 730 x 380
 Dimensions of the packed product (HxWxD) (mm) : 290 x 790 x 440
 Net weight (kg) : 9.214
 Gross weight (kg) : 10.3

Optional accessories

LZ73050	Standard odor filter
---------	----------------------



**iQ300, Canopy Extractor, 75 cm, Silver
metallic
LB75564**

Features

Design:

- Ducted/Recirculating operation
- For installation in a modified cupboard, above a hob
- 2 x 20 W halogen lights

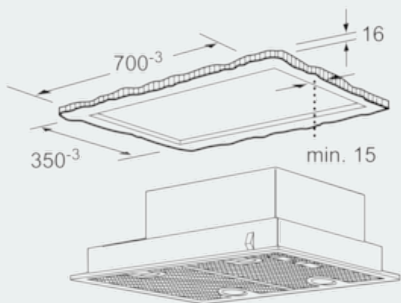
Comfort and Safety:

- 3 speed control plus intensive setting
- Sliding switch control for extractor speeds and light

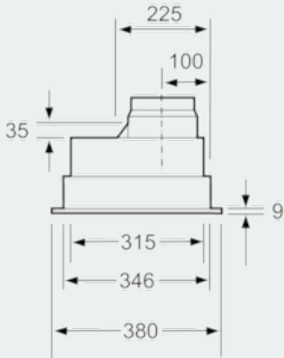
* In accordance with the EU-Regulation No 65/2014

iQ300, Canopy Extractor, 75 cm, Silver metallic
LB75564

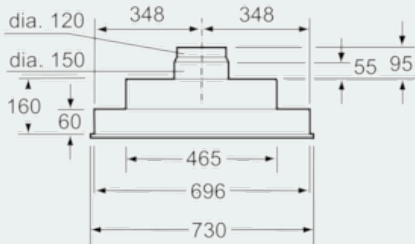
Dimensioned drawings



measurements in mm



measurements in mm



measurements in mm