

**Series 6, Built-in Fridge, 82 x 60 cm,  
soft close flat hinge  
KUR15ADF0**



**A++**



1 x egg tray

KFZ10AX0 Door panel with decor frame  
KUZ20SX0 Attachment door, stainless steel

**The built-under refrigerator with MultiBox:  
ideal storage location for your fresh fruits  
and vegetables.**

- **A++ energy class refrigerator consumes 40% less energy than A energy class.**
- **LED lighting: keep your groceries in perfect view.**
- **Safety glass shelves: Safe storage of your precious food thanks to particularly stable and shatterproof.**

Energy Efficiency Class (Regulation (EU) 2017/1369): ..... F  
 Average annual energy consumption in kilowatt hour per year  
 (kWh/a) (EU) 2017/1369: ..... 114 kWh/annum  
 Sum of volume of frozen compartments (EU 2017/1369): ..... 0 l  
 Sum of volume of chill compartments: ..... 137 l  
 Airborne acoustical noise emissions : ..... 38 dB(A) re 1 pW  
 Airborne acoustical noise emission class (EU 2017/1369): ..... C  
 Built-in / Free-standing: ..... Built-in  
 Number of compressors: ..... 1  
 Number of independent cooling systems: ..... 1  
 Width of the appliance: ..... 598 mm  
 Height: ..... 820 mm  
 Depth: ..... 548 mm  
 Net weight: ..... 34.1 kg  
 Min. required niche size for installation (HxWxD): .... 820 x 600 x 550 mm  
 Door panel options: ..... Possible but accessory  
 Door hinge: ..... Right reversible  
 Number of Adjustable Shelves in fridge compartment: ..... 2  
 Shelves for Bottles: ..... No  
 Frost free system: ..... No  
 Interior ventilator: ..... No  
 Reversible Door Hinge: ..... Yes  
 Length electrical supply cord: ..... 230.0 cm  
 Connection rating: ..... 90 W  
 Fuse protection: ..... 10 A  
 Voltage: ..... 220-240 V  
 Frequency: ..... 50 Hz  
 Included accessories: ..... 1 x egg tray



**Series 6, Built-in Fridge, 82 x 60 cm,  
soft close flat hinge  
KUR15ADF0**

**The built-under refrigerator with MultiBox:  
ideal storage location for your fresh fruits  
and vegetables.**

---

**Consumption**

- can be built under/between, fully integr

**Design**

- Ventilation in plinth, no cut-out in the worksurface necessary
- Easy clean interior

**Comfort and Safety**

- Mechanical control
- Auto defrost

**Fridge Section**

- 3 safety glass shelves of which 2 are height adjustable
- 3 door trays
- Bottle holder in x-deep door tray
- Internal LED lights

**Freshness System**

- 2 vegetable/salad containers with lid

**TECHNICAL INFORMATION**

- Height adjustable feet in the front
- Door right hinged, reversible
- Connected load 90 W
- Rated Voltage 220 - 240 V

**APPLIANCE DIMENSION**

- Niche Dimension H X W x D: 82 cm cm x 60 cm x 55 cm
- Dimensions: H 82 cm x L 59.8 cm x D 54.8 cm

**Standard Accessories**

- egg tray

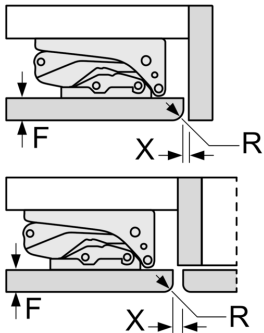
**General Information**

**ENVIREMENT AND SAFETY**

**Series 6, Built-in Fridge, 82 x 60 cm,  
soft close flat hinge  
KUR15ADF0**

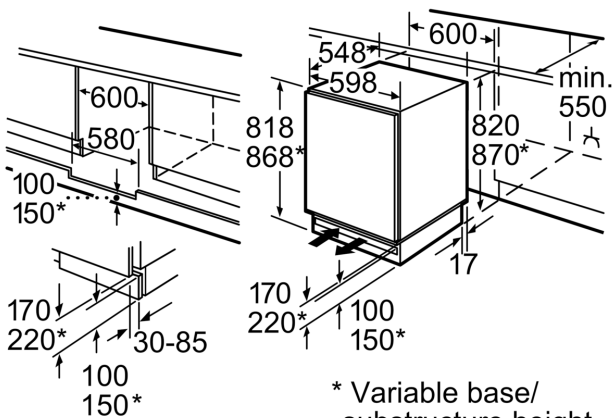
measurements in mm

Recommended gap dimensions for flat hinges



F	R	X
16-19	0-3	2.5
20	0-1	3
	2-3	2.5
21	0-1	3
	2-3	2.5
22	0	4
	1	3.5
	2-3	3

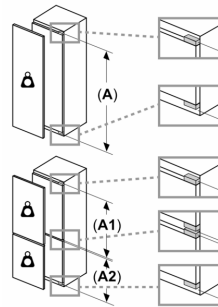
The gap dimensions recommended in the table must be adhered to in order to ensure that appliance doors do not collide with anything when they are opened, and to avoid causing damage to kitchen units.



\* Variable base/  
substructure height

Space for electrical connection next to the appliance on the left or right-hand side.  
Ventilation space in the base.

Measurements in mm



**Maximal permissible weight of the unit fronts**

Fitted unit fronts that exceed the permissible weight may cause damage and result in functional impairment of the hinges

Δ Weight

A: Appliance door height including hinges in mm

B: Undamped hinge, unit front in kg

C: Damped hinge, unit front in kg

D: Additional possible load in kg with heavy load kit

A	B	C	D
1500-1750	22	22	B+5 / C+5
720-1400	19	19	
A1	15	19	
A2	15	19	