

**Serie | 6, Built-in Fridge, 82 x 60 cm
KUR15A65**



Included accessories
1 x egg tray

The refrigerator with vegetable drawer and A++ rating: extra compartment for your fruits and vegetables - cools very efficiently.

- **LED light:** illuminates the refrigerator evenly without glare, for the life of the appliance.
- The egg rack keeps your eggs safe
- A++ energy class refrigerator consumes %40 less energy than A energy class.
- Bright All LED Lighting Shines Throughout the Entire Interior

Technical data

Built-in / Free-standing :	Built-in
Number of compressors :	1
Number of independent cooling systems :	1
Width of the appliance :	598
Height (mm) :	820
Depth of the product :	548
Net weight (kg) :	33.095
Required niche size for installation (HxWxD) :	820 x 600 x 550
Door panel options :	Possible but accessory
Door hinge :	Right reversible
Number of Adjustable Shelves in fridge compartment :	2
Shelves for Bottles :	No
Frost free system :	No
Interior ventilator :	No
Reversible Door Hinge :	Yes
Length electrical supply cord (cm) :	230
Noise level (dB(A) re 1 pW) :	38
Multi-Flow Air Tower :	No
Economy setting :	No
Cold technology :	1 compressor/1 cold circuit
Fast cooling switch :	No
Temperature Controlled Drawer :	No
Humidity Control Drawer :	No
Number of Door Bins - Refrigerator :	3
Door bin adjustability - Refrigerator :	No
Tilt-out door bins in fridge :	Yes
Gallon Storage :	Yes
Number of Gallon storage :	3
No. of shelves in fridge :	3
Motorized Shelf :	No
Material of the shelves :	Glas, plastic
Door opened indicator freezer :	No
Connection Rating (W) :	90
Fuse protection (A) :	10
Voltage (V) :	220-240
Frequency (Hz) :	50
Energy consumption annual (kWh/annum) - NEW (2010/30/EC) :	92.00
Refrigerator Net capacity (l) - NEW (2010/30/EC) :	137
Freezer Net capacity (l) - NEW (2010/30/EC) :	0
Frost free system :	No
Freezing capacity (kg/24h) - NEW (2010/30/EC) :	0
Approval certificates :	CE, Morocco, Ukraine, VDE
Main colour of product :	N/A
Door panel options :	Possible but accessory
Installation typology :	Built-under
Noise level (dB(A) re 1 pW) :	38
Energy Star Qualified :	No
Plug type :	Gardy plug w/ earthing
Required cutout/niche size for installation (in) :	x x
Dimensions of the packed product (in) :	35.03 x 26.37 x 24.40
Net weight (lbs) :	73.000
Gross weight (lbs) :	80.000



Serie | 6, Built-in Fridge, 82 x 60 cm KUR15A65

**The refrigerator with vegetable drawer and
A++ rating: extra compartment for your
fruits and vegetables - cools very efficiently.**

General Information

- can be built under/between, fully integr

Comfort and Safety

- Mechanical control
- 1 compressor
- Auto defrost

Fridge Section

- 3 safety glass shelves of which 2 are height adjustable
- Full width pull out drawer
- 2 vegetable/salad containers with lid
- 3 door trays
- Bottle holder in x-deep door tray
- Internal LED lights

TECHNICAL INFORMATION

- Noise level dB(A) re 1 pW: 38
- Height adjustable feet in the front
- Door right hinged, reversible
- Niche Dimension H X W x D: 82 cm cm x 60 cm x 55 cm
- Dimensions: H 82 cm x L 59.8 cm x D 54.8 cm
- Connected load 90 W
- Rated Voltage 220 - 240 V

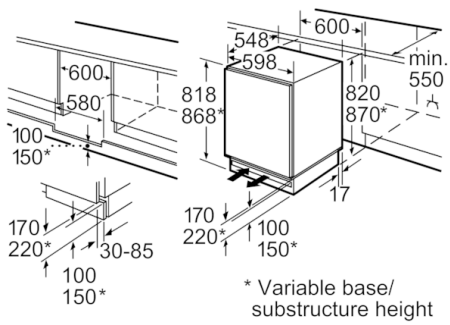
Standard Accessories

- egg tray

Design

- Ventilation in plinth, no cut-out in the worksurface necessary
- Easy clean interior
- Interior with metal applications

Serie | 6, Built-in Fridge, 82 x 60 cm KUR15A65



Space for electrical connection next to the
appliance on the left or right-hand side.
Ventilation space in the base.

Measurements in mm